

Table of Contents

Table of Contents	Sheet 1A
Arabian Main Wiring Diagram (040285-01 A)	Sheet 1B
Arabian Regulator/Audio II PCB Schematic Diagram (035435-02 F), Color Raster Power Supply Wiring Diagram (037669-01 E)	Sheet 2A
Arabian Coin Door Wiring Diagram (A037542-01 E), Utility Panel Wiring Diagram (A038004-01 F), Fluorescent Light Wiring Diagram (035833-01 A)	Sheet 2B

Display Schematics, Sheets 3A-4B

Atari Color Raster Display Wiring Diagram (200002-01 C)	Sheet 3A
Atari Color Raster Display Deflection PCB Schematic Diagram (2010222-01 C)	Sheet 3B
Atari Color Raster Display Neck PCB Schematic Diagram (201020-01 B)	Sheet 4A
Matsushita Color Raster Display Schematic Diagram	Sheet 4B

Arabian Memory Map	Sheet 5A
Arabian Block Diagram and Guide to PCB Schematics	Sheet 5B

Game PCB Schematics, Sheets 6A-11B

Arabian Game Microprocessor, Game Power Input, Watchdog Enable	Sheet 6A
Arabian Address Decoders, Program ROM	Sheet 6B
Arabian Custom I/O Microprocessor RAM, RAM Control, Read/Write	Sheet 7A
Arabian Input Bus Driver, Custom I/O Microprocessor	Sheet 7B
Arabian Coin and Dip Switch Inputs, Sound Microprocessor	Sheet 8A
Arabian Clock, Sync Chain, and Timing Signals	Sheet 8B
Arabian Row/Column Address Select, Dynamic RAM Write Enable, Enable Logic Control	Sheet 9A
Arabian Dynamic RAM Flip Address Decoders, Dynamic RAM Address Decoders, Dynamic RAM Address Multiplexers	Sheet 9B
Arabian DMA Control	Sheet 10A
Arabian Picture ROM Address Decoder, Picture ROM, Dynamic RAM Data Selector	Sheet 10B
Arabian Red/Shade and Green/Blue Playfield RAM, Red/Shade and Green/Blue Motion Object RAM	Sheet 11A
Arabian Video Output Decoders, Video Output	Sheet 11B
Arabian EMI Shield PCB Schematic Diagram	Sheet 12A

NOTE

An Arabian Troubleshooting Guide is included as part of this Schematic Package Supplement. The Arabian Troubleshooting Guide contains Atari CAT Box[®] troubleshooting procedures and signal name descriptions.



NOTE
Remove this staple to separate
the schematic diagrams from
the Troubleshooting Guide.

Schematic Package Supplement to

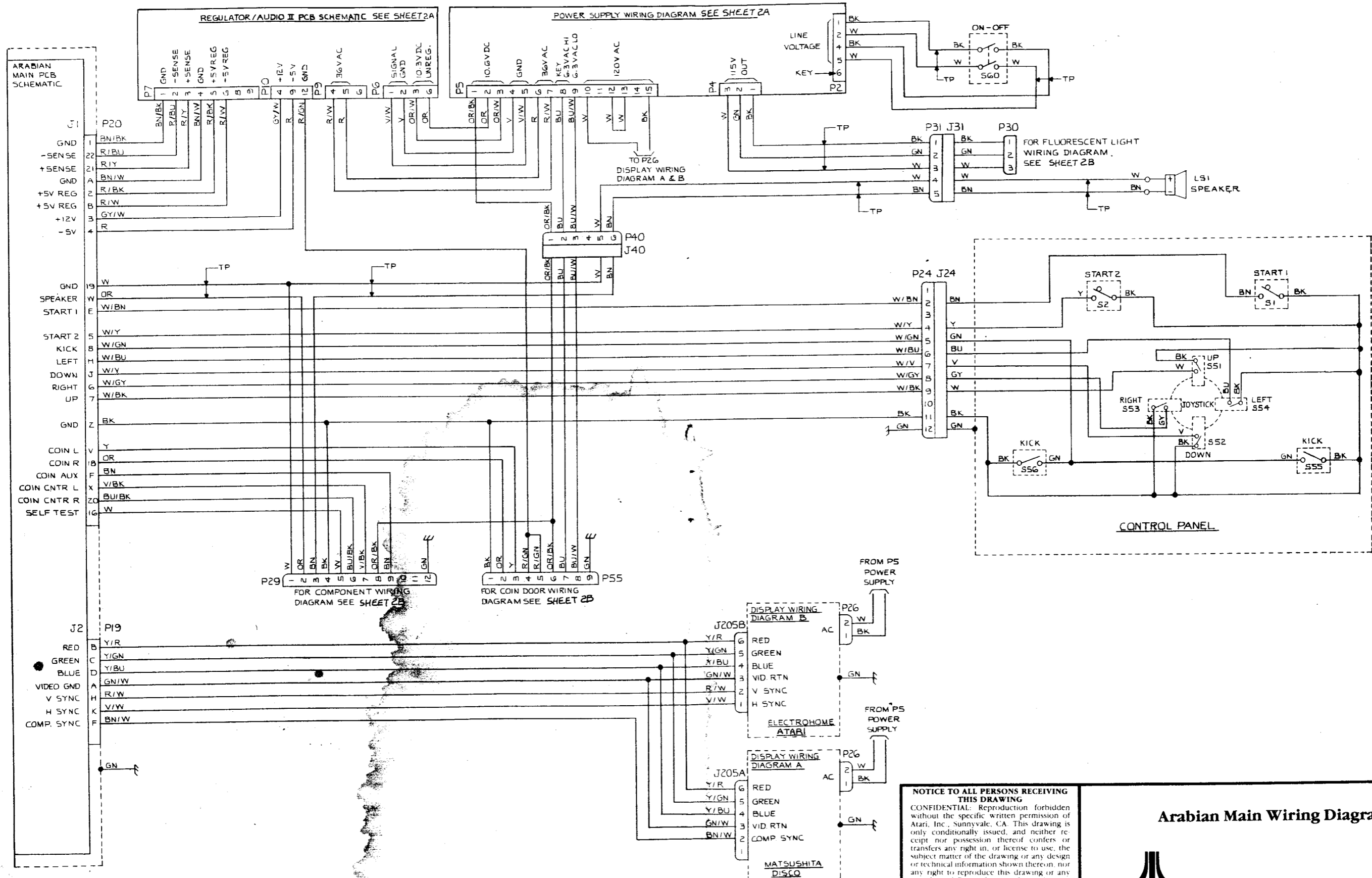
ARABIANTM

Operators Manual

Includes
Troubleshooting Guide

*Manufactured under license from Sun Electronics Corporation.

ATM



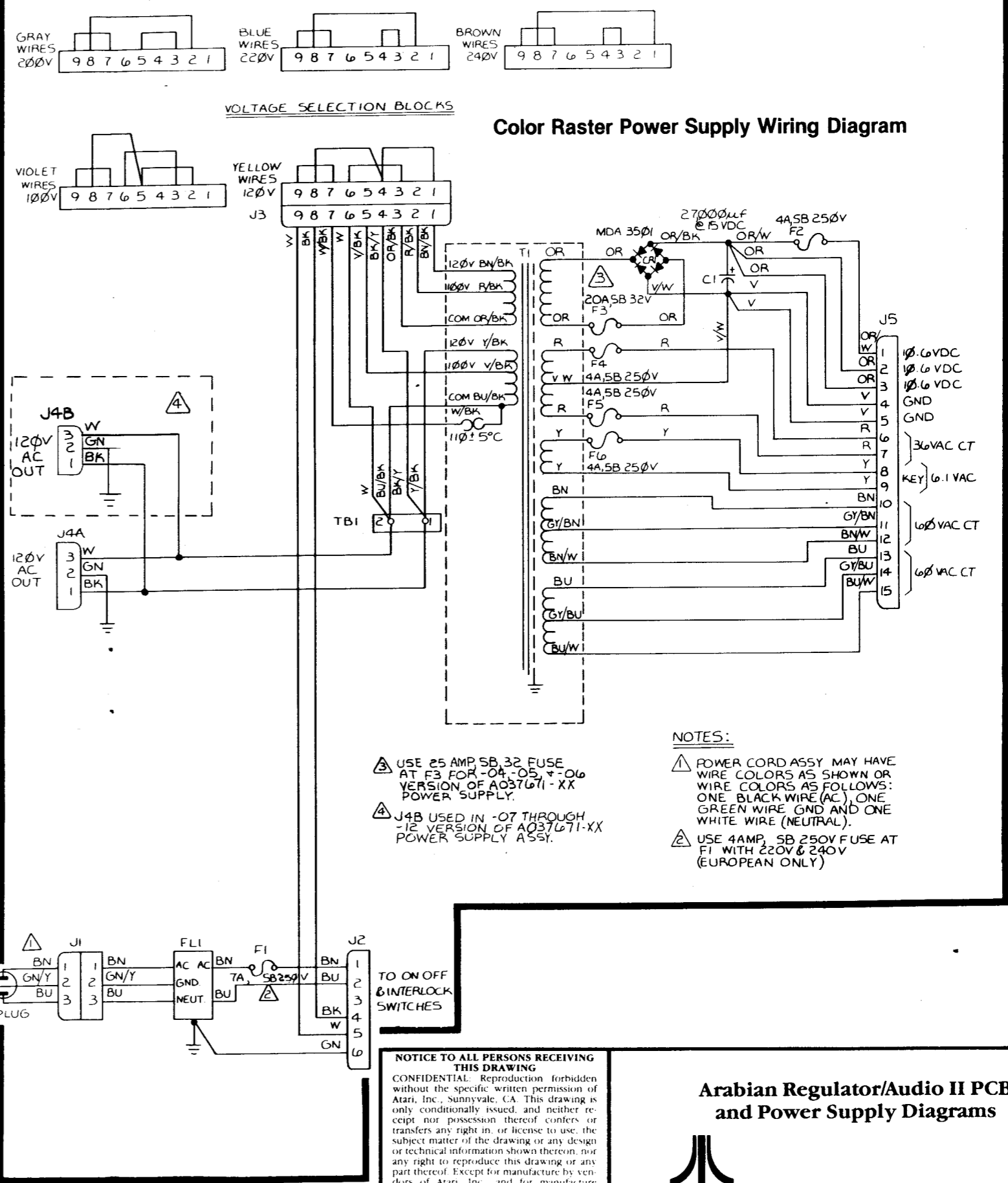
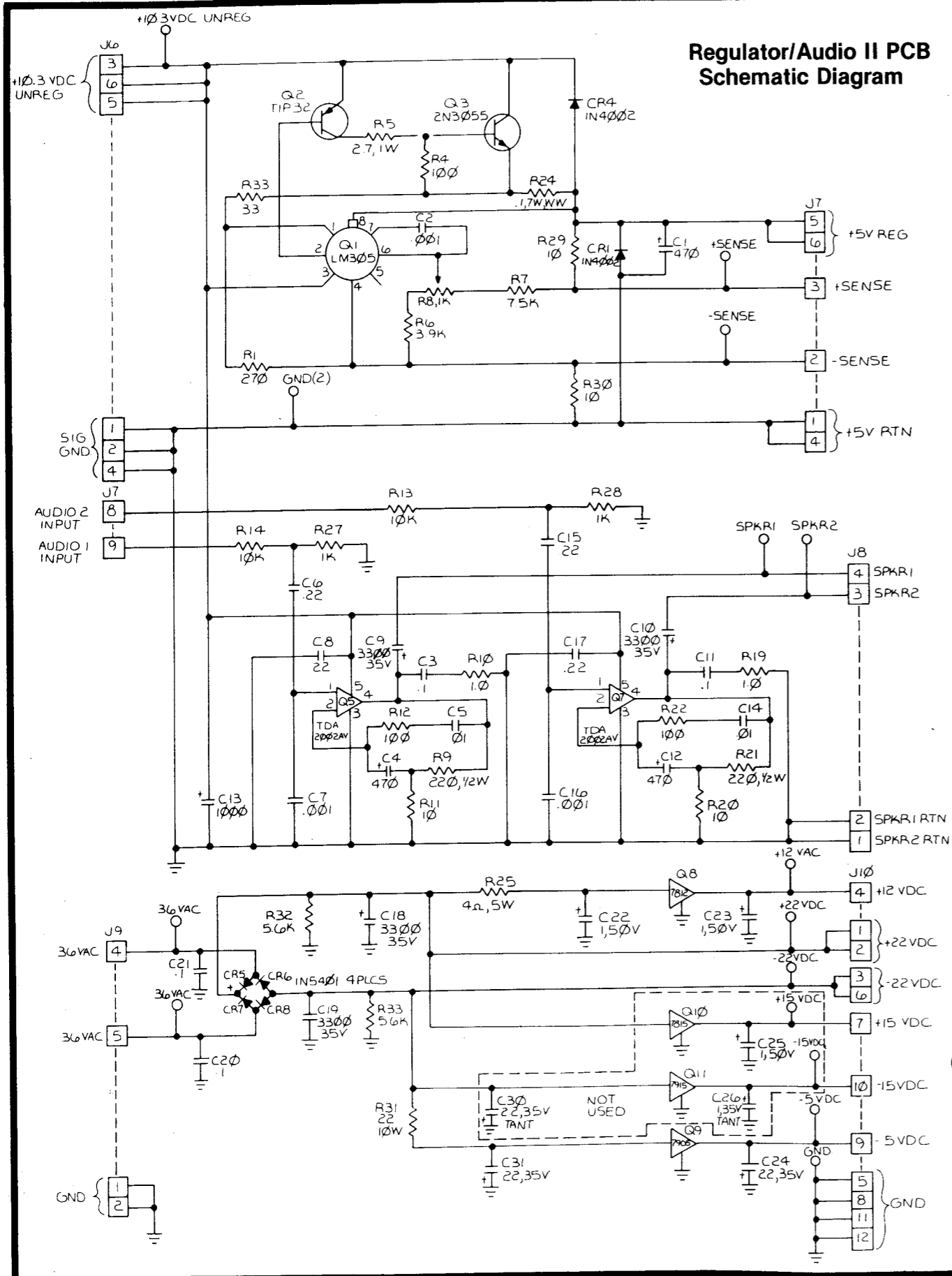
NOTICE TO ALL PERSONS RECEIVING THIS DRAWING
 CONFIDENTIAL: Reproduction forbidden without the specific written permission of Atari, Inc., Sunnyvale, CA. This drawing is only conditionally issued, and neither receipt nor possession thereof confers or transfers any right in, or license to use, the subject matter of the drawing or any design or technical information shown thereon, nor any right to reproduce this drawing or any part thereof. Except for manufacture by vendors of Atari, Inc., and for manufacture under the corporation's written license, no right is granted to reproduce this drawing or the subject matter thereof, unless by written agreement with or written permission from the corporation.

Arabian Main Wiring Diagram

ATARI
Warner Communications Company

ATARI INC. 1983

SP-237 Sheet 1B
 1st printing



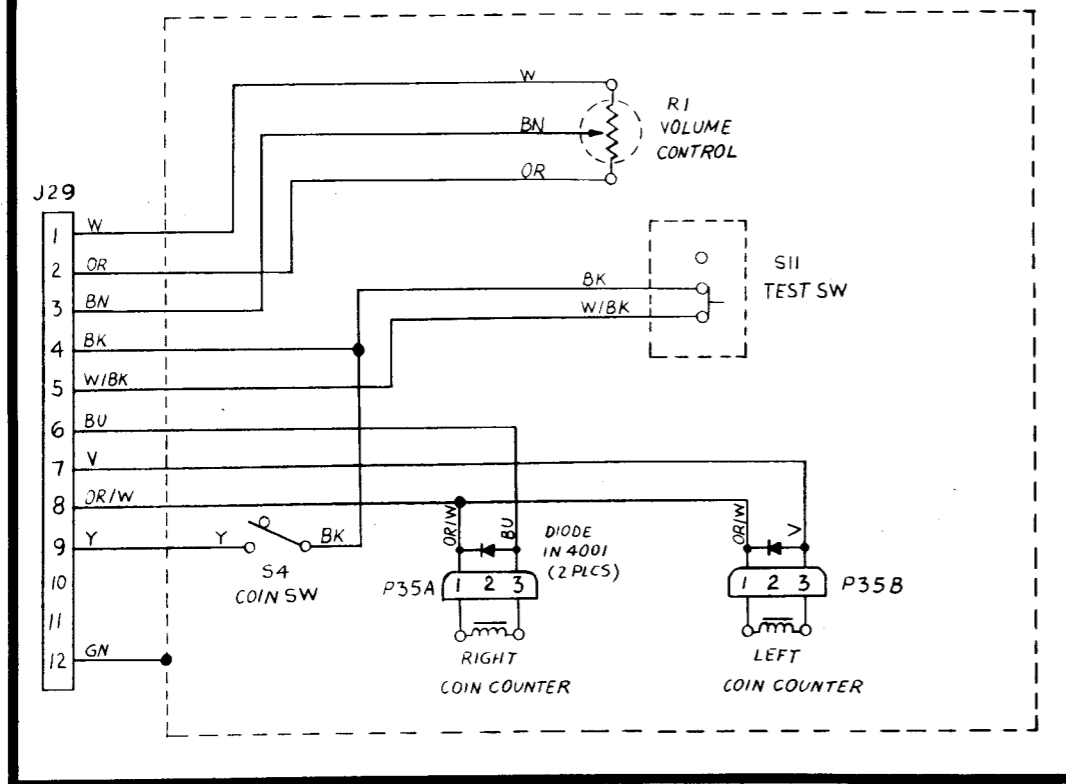
Arabian Regulator/Audio II PCB and Power Supply Diagrams



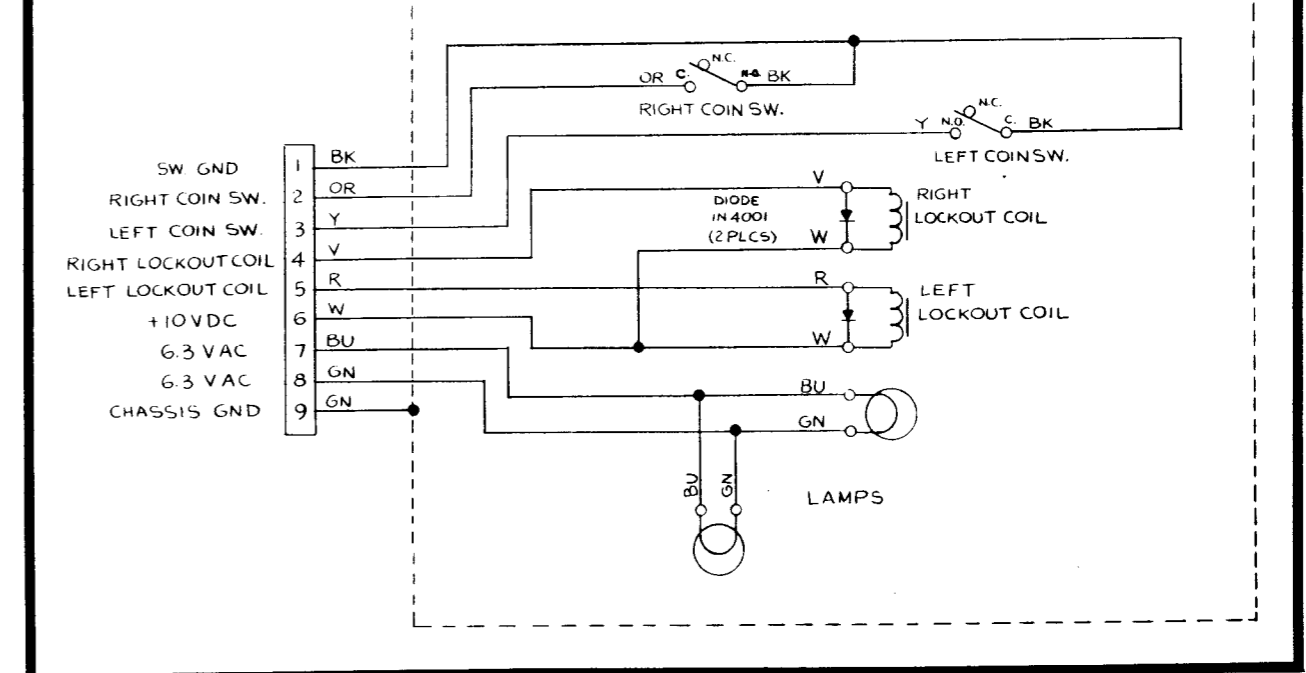
ATARI INC. 1983

SP-237 Sheet 2A
1st printing

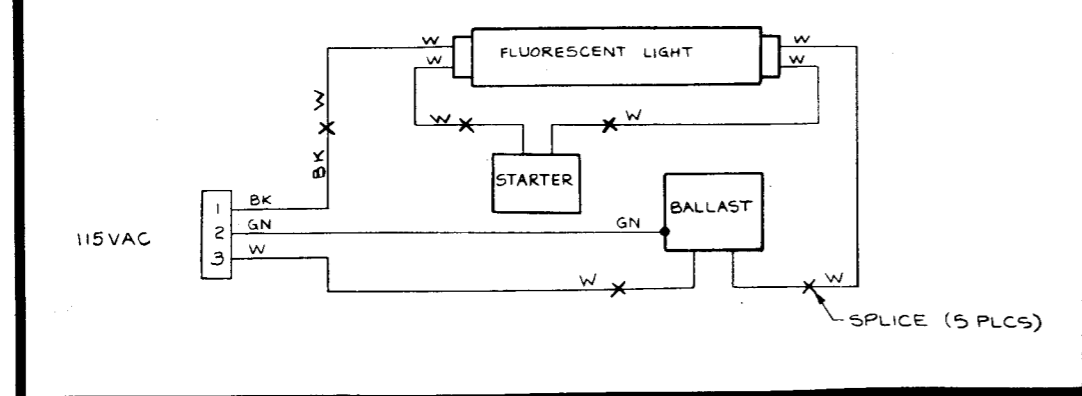
Utility Panel Wiring Diagram



Coin Door Wiring Diagram



Fluorescent Light Wiring Diagram



NOTICE TO ALL PERSONS RECEIVING THIS DRAWING

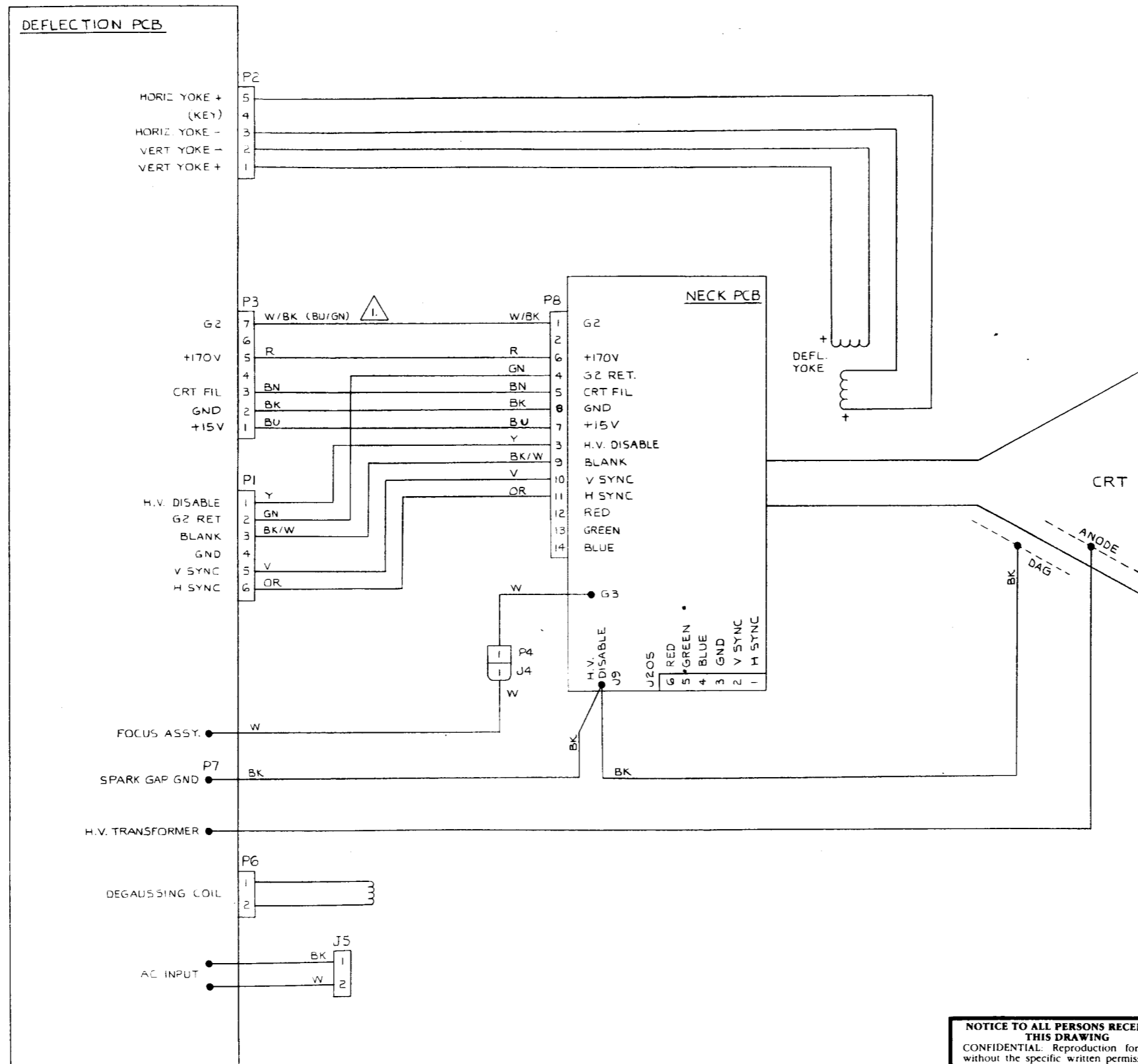
CONFIDENTIAL: Reproduction forbidden without the specific written permission of Atari, Inc., Sunnyvale, CA. This drawing is only conditionally issued, and neither receipt nor possession thereof confers or transfers any right in, or license to use the subject matter of the drawing or any design or technical information shown thereon, nor any right to reproduce this drawing or any part thereof. Except for manufacture by vendors of Atari, Inc., and for manufacture under the corporation's written license, no right is granted to reproduce this drawing or the subject matter thereof, unless by written agreement with or written permission from the corporation.

Arabian Game Interfaces



ATARI INC. 1983

SP-237 Sheet 2B
1st printing



NOTE:
^{1.} ALTERNATE COLOR IN PARENTHESES ().

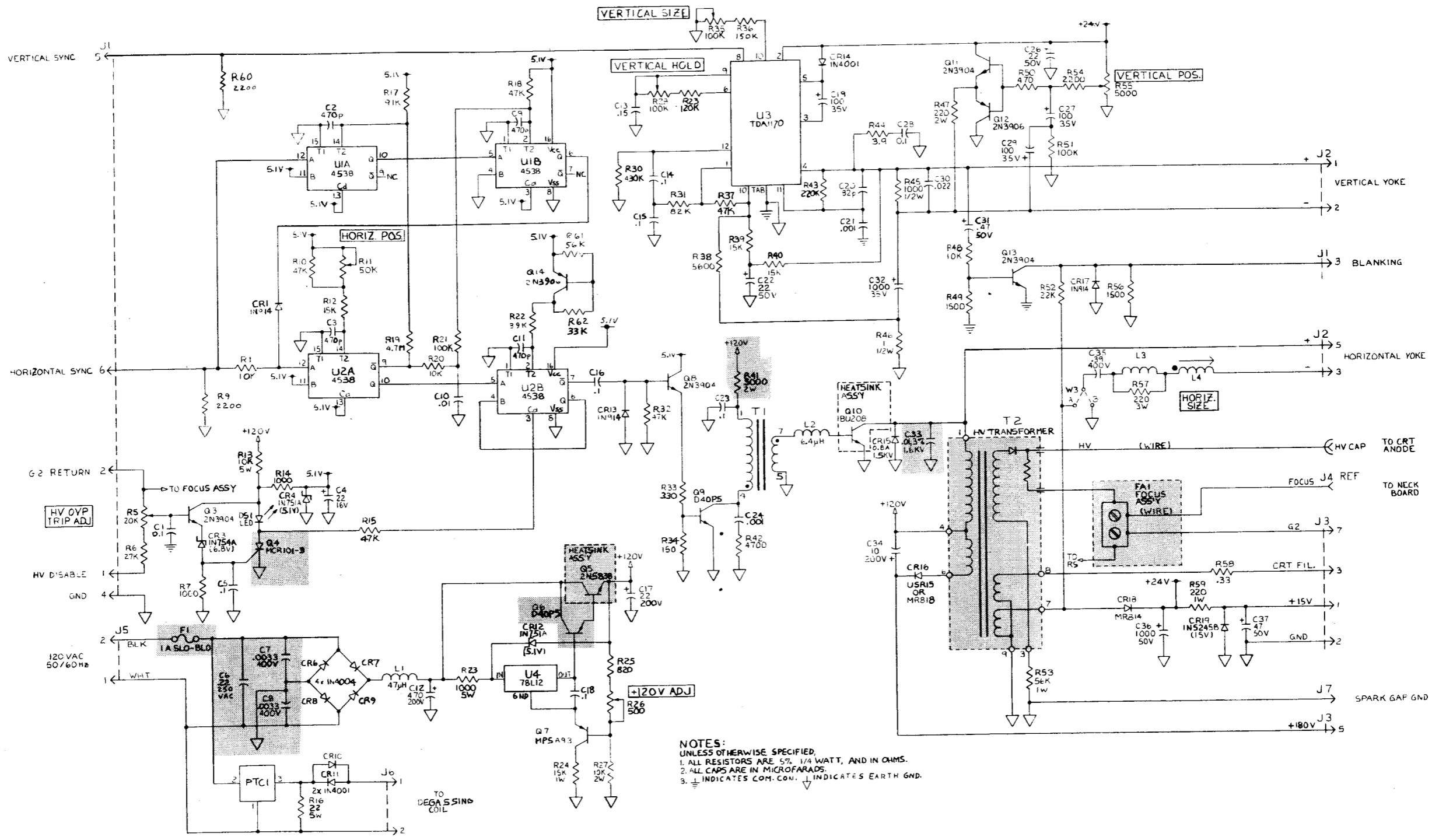
NOTICE TO ALL PERSONS RECEIVING THIS DRAWING
 CONFIDENTIAL. Reproduction forbidden without the specific written permission of Atari, Inc., Sunnyvale, CA. This drawing is only conditionally issued, and neither receipt nor possession thereof confers or transfers any right in, or license to use, the subject matter of the drawing or any design or technical information shown thereon, nor any right to reproduce this drawing or any part thereof. Except for manufacture by vendors of Atari, Inc., and for manufacture under the corporation's written license, no right is granted to reproduce this drawing or the subject matter thereof, unless by written agreement with or written permission from the corporation.

Atari Color Raster Display Wiring Diagram

ATARI
 A Warner Communications Company

© ATARI INC. 1983

SP-237 Sheet 3A
 1st printing



NOTES:
 UNLESS OTHERWISE SPECIFIED,
 1. ALL RESISTORS ARE 5% 1/4 WATT, AND IN OHMS.
 2. ALL CAPS ARE IN MICROFARADS.
 3. ⊕ INDICATES COM. CON. ⊥ INDICATES EARTH GND.

PRODUCT SAFETY NOTICE

The shaded areas of this schematic indicate components whose values are of special significance to product safety. Should any component in the shaded areas need to be replaced, use only the value given in the parts lists. Do not deviate from the resistance, wattage, and voltage values shown.

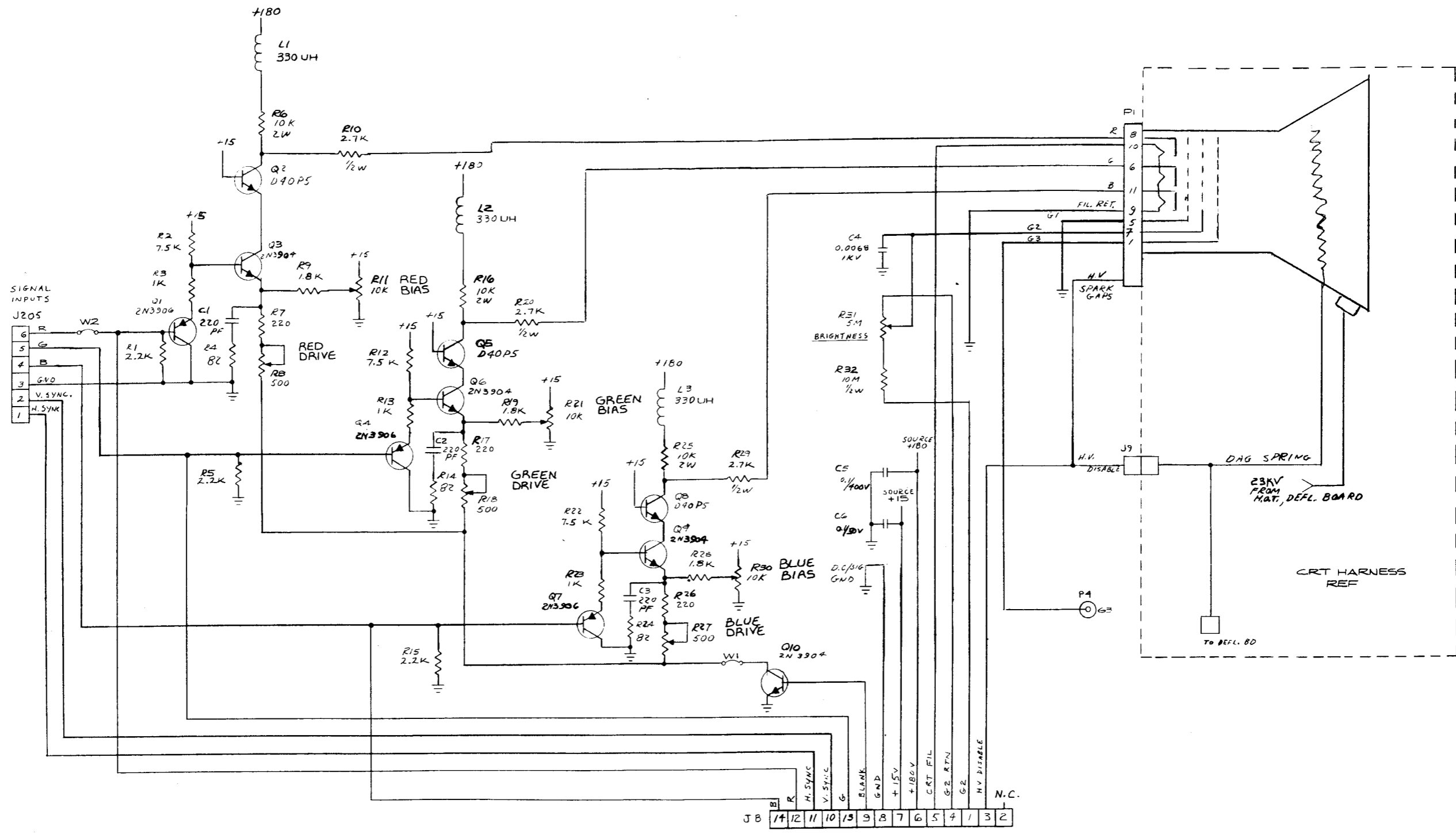
NOTICE TO ALL PERSONS RECEIVING THIS DRAWING
 CONFIDENTIAL: Reproduction forbidden without the specific written permission of Atari, Inc., Sunnyvale, CA. This drawing is only conditionally issued, and neither receipt nor possession thereof confers or transfers any right in, or license to use, the subject matter of the drawing or any design or technical information shown thereon nor any right to reproduce this drawing or any part thereof. Except for manufacture by vendors of Atari, Inc., and for manufacture under the corporation's written license, no right is granted to reproduce this drawing or the subject matter thereof, unless by written agreement with or written permission from the corporation.

Atari Color Raster Display Deflection PCB Schematic Diagram



ATARI INC. 1983

SP-237 Sheet 3B
 1st printing



NOTICE TO ALL PERSONS RECEIVING THIS DRAWING
 CONFIDENTIAL: Reproduction forbidden without the specific written permission of Atari, Inc., Sunnyvale, CA. This drawing is only conditionally issued, and neither receipt nor possession thereof confers or transfers any right in, or license to use the subject matter of the drawing or any design or technical information shown thereon, nor any right to reproduce this drawing or any part thereof. Except for manufacture by vendors of Atari, Inc. and for manufacture under the corporation's written license, no right is granted to reproduce this drawing or the subject matter thereof, unless by written agreement with or written permission from the corporation.

Atari Color Raster Display Neck PCB Schematic Diagram

ATARI
 A Warner Communications Company

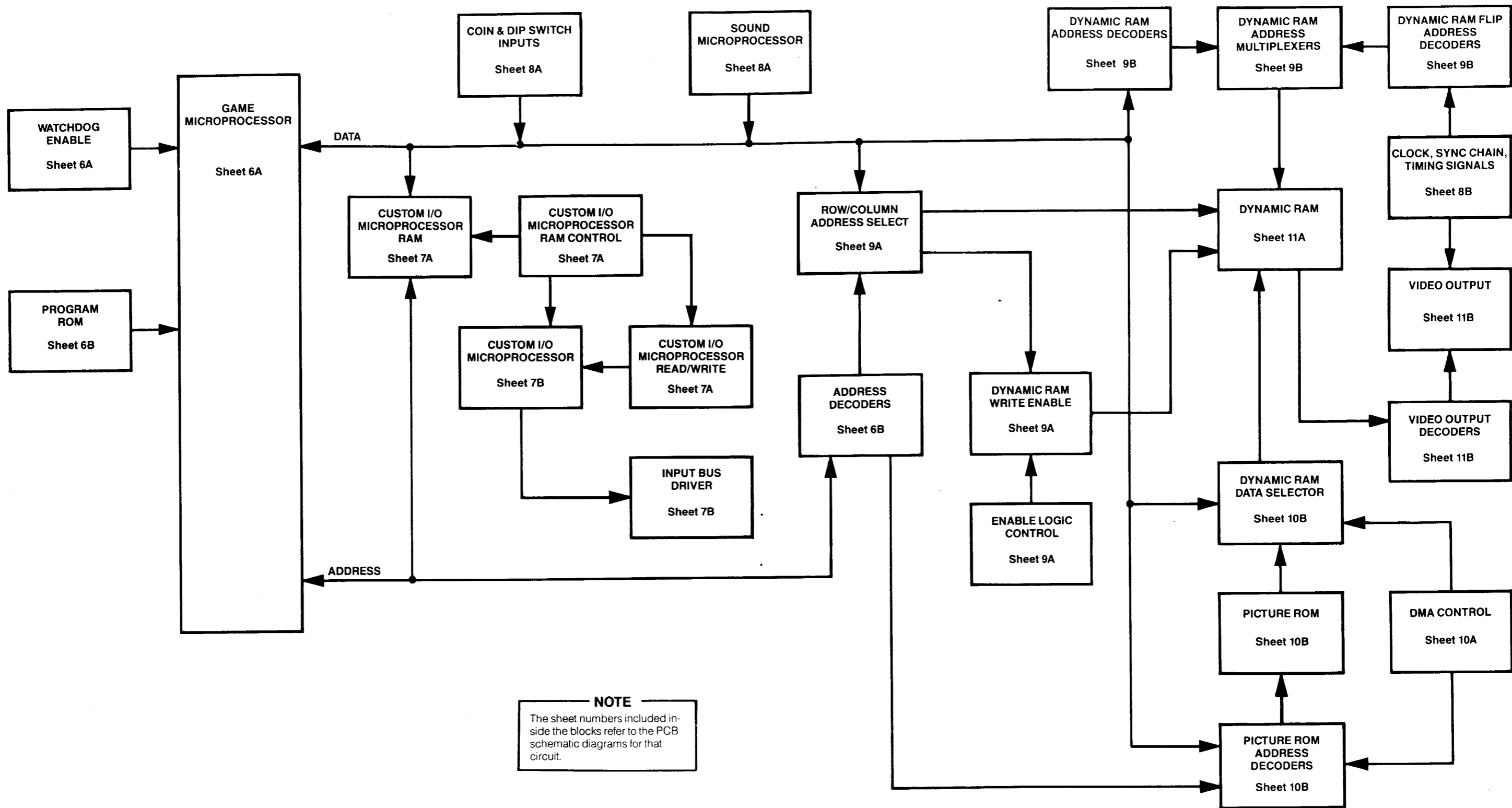
ATARI INC. 1983

SP-237 Sheet 4A
 1st printing

Arabian Memory Map

HEXA- DECIMAL ADDRESS	ADDRESS BUS SIGNAL LINES															READ/ WRITE	DATA BUS SIGNAL LINES								FUNCTION					
	A15	A14	A13	A12	A11	A10	A9	A8	A7	A6	A5	A4	A3	A2	A1		A0	D7	D6	D5	D4	D3	D2	D1		D0				
E006	1	1	1	0	A	A	A	A	A	A	A	A	A	1	1	0	W	D	D	D	D	D	D	D	D	\overline{XY} (H)	Picture Size and DMA Start			
E005	1	1	1	0	A	A	A	A	A	A	A	A	A	1	0	1	W	D	D	D	D	D	D	D	D	\overline{XY} (L)				
E004	1	1	1	0	A	A	A	A	A	A	A	A	A	1	0	0	W	D	D	D	D	D	D	D	D	\overline{WR} (H)	DMA RAM Start Address			
E003	1	1	1	0	A	A	A	A	A	A	A	A	A	0	1	1	W	D	D	D	D	D	D	D	D	\overline{WR} (L)				
E002	1	1	1	0	A	A	A	A	A	A	A	A	A	0	1	0	W	D	D	D	D	D	D	D	D	\overline{RD} (H)	DMA ROM Start Address			
E001	1	1	1	0	A	A	A	A	A	A	A	A	A	0	0	1	W	D	D	D	D	D	D	D	D	\overline{RD} (L)				
E000	1	1	1	0	A	A	A	A	A	A	A	A	A	0	0	0	W									D	D	D	D	BSEL Bank Select
DFFF-D000	1	1	0	1	A	A	A	A	A	A	A	A	A	A	A	A	R/W	D	D	D	D	D	D	D	D		Custom Microprocessor RAM			
CA00	1	1	0	0	1	0	1	0	A	A	A	A	A	A	A	A	R/W	D	D	D	D	D	D	D	D		Sound Chip Data			
C800	1	1	0	0	1	0	0	0	A	A	A	A	A	A	A	A	W	D	D	D	D	D	D	D	D		Sound Chip Address			
C200	1	1	0	0	0	0	1	0	A	A	A	A	A	A	A	A	R							D	D	D	D	Option Switches		
C000	1	1	0	0	0	0	0	0	A	A	A	A	A	A	A	A	R							D	D	D	D	Coin Inputs		
BFFF-8000	1	0	1	1	A	A	A	A	A	A	A	A	A	A	A	A	R/W	D	D	D	D	D	D	D	D		Bit Map RAM			
6000-7FFF	0	1	1	A	A	A	A	A	A	A	A	A	A	A	A	A	R	D	D	D	D	D	D	D	D	$\overline{ROM 3}$	Program ROM (Z-80)			
4000-5FFF	0	1	0	A	A	A	A	A	A	A	A	A	A	A	A	A	R	D	D	D	D	D	D	D	D	$\overline{ROM 2}$				
2000-3FFF	0	0	1	A	A	A	A	A	A	A	A	A	A	A	A	A	R	D	D	D	D	D	D	D	D	$\overline{ROM 1}$				
0000-1FFF	0	0	0	A	A	A	A	A	A	A	A	A	A	A	A	A	R	D	D	D	D	D	D	D	D	$\overline{ROM 0}$				


<p>NOTICE TO ALL PERSONS RECEIVING THIS DRAWING</p> <p>CONFIDENTIAL: Reproduction forbidden without the specific written permission of Atari, Inc., Sunnyvale, CA. This drawing is only conditionally issued, and neither receipt nor possession thereof confers or transfers any right in, or license to use, the subject matter of the drawing or any design or technical information shown thereon, nor any right to reproduce this drawing or any part thereof. Except for manufacture by vendors of Atari, Inc., and for manufacture under the corporation's written license, no right is granted to reproduce this drawing or the subject matter thereof, unless by written agreement with or written permission from the corporation.</p>	<h3 style="margin: 0;">Arabian Memory Map</h3> <p style="font-size: small; margin: 0;">ATARI INC. 1985</p>	<p style="text-align: right; font-size: small; margin: 0;">SP-237 Sheet 5A 1st printing</p>
---	--	---



NOTE
The sheet numbers included inside the blocks refer to the PCB schematic diagrams for that circuit.

NOTICE TO ALL PERSONS RECEIVING THIS DRAWING
CONFIDENTIAL - Reproduction forbidden without the specific written permission of Atari, Inc., Sunnyvale, CA. This drawing is only conditionally issued, and neither receipt nor possession thereof confers or transfers any right in, or interest in, the subject matter of the drawing, or any design or technical information shown thereon, or any right to reproduce this drawing or any part thereof. Except for the manufacture of parts of Atari, Inc., and its manufacture under the supervision of a written license, no other use of this drawing is permitted. Atari, Inc. reserves the right to modify this drawing without notice.

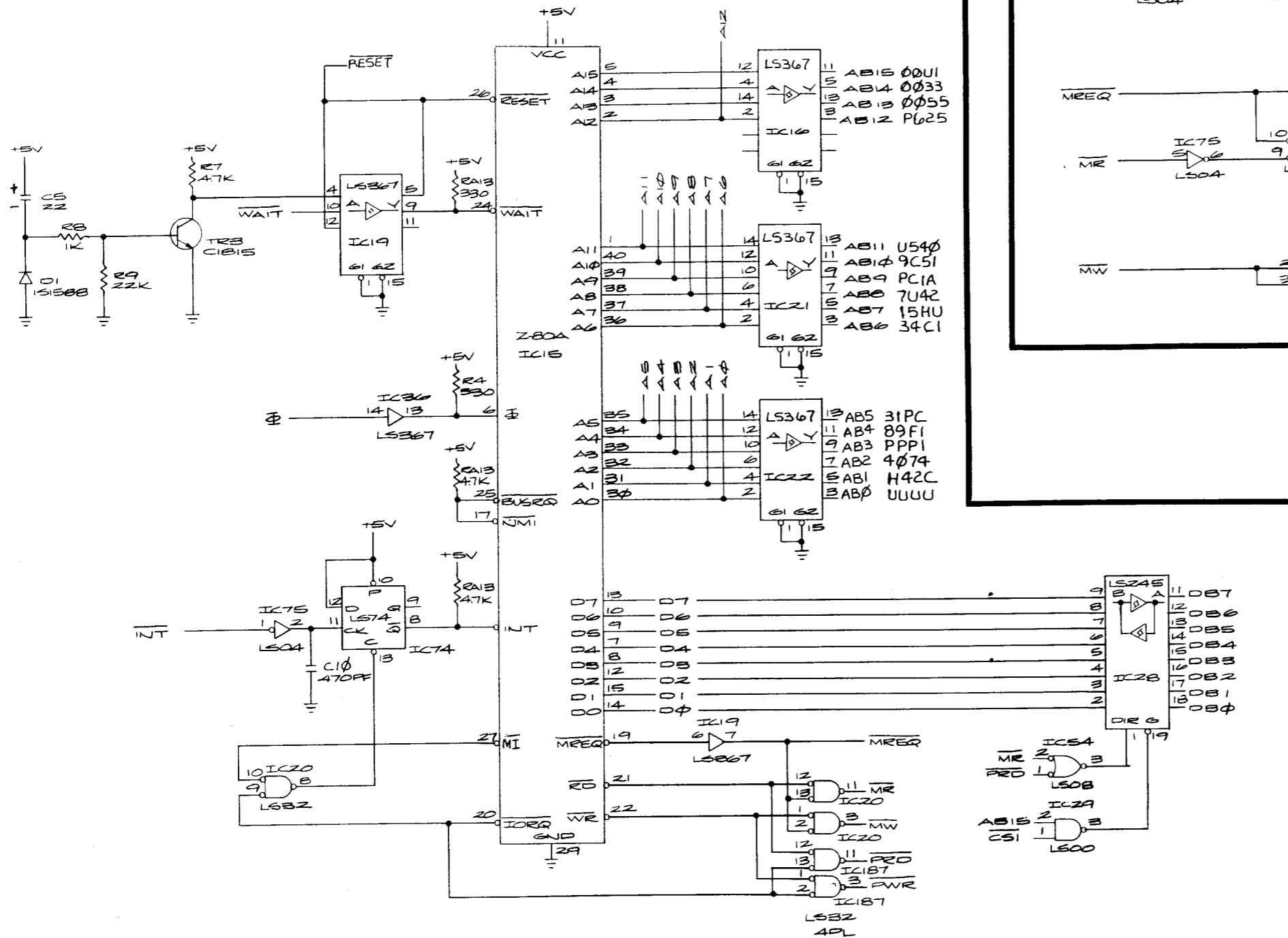
Arabian Block Diagram/Guide to PCB Schematics



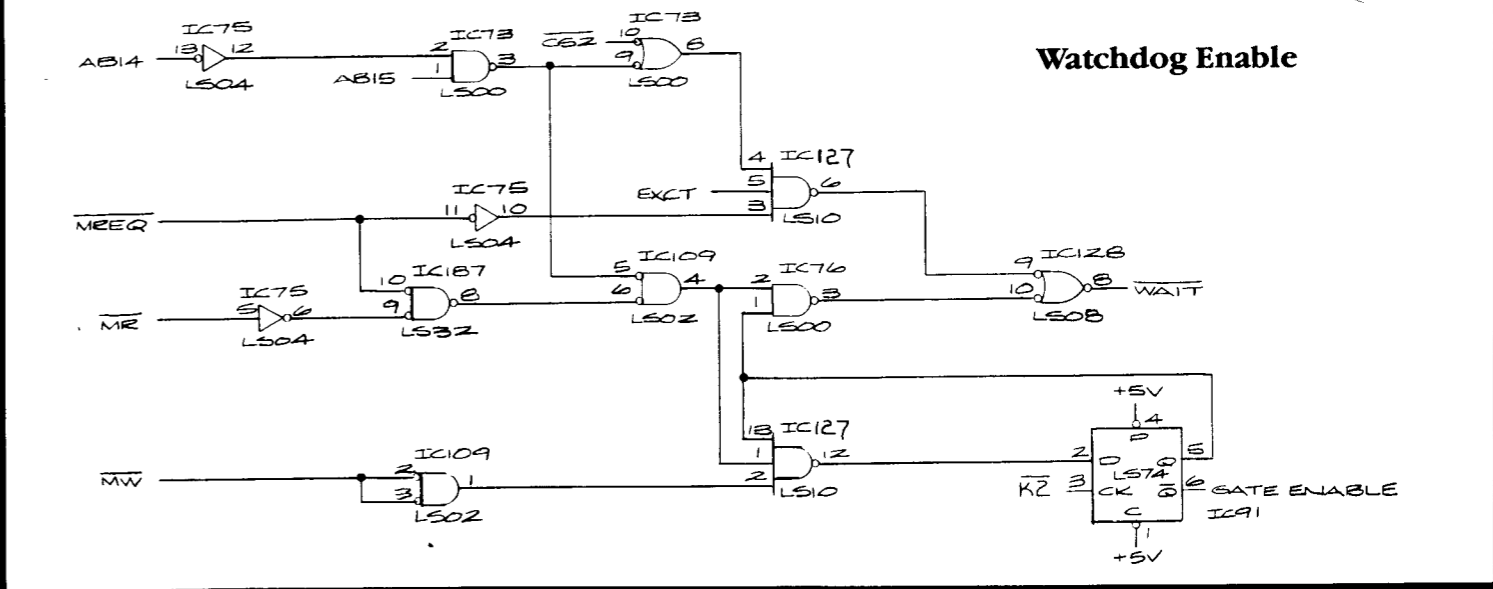
ATARI INC. 1984

SP-237 Sheet 5B
1st printing

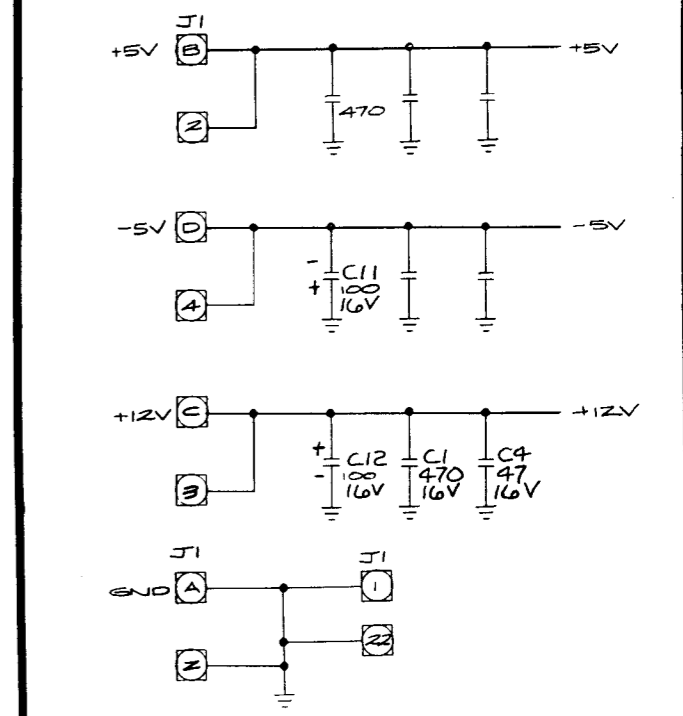
Game Microprocessor



Watchdog Enable



Game Power Input



- NOTES:
- DENOTES J1 CONNECTOR
 - DENOTES J2 CONNECTOR

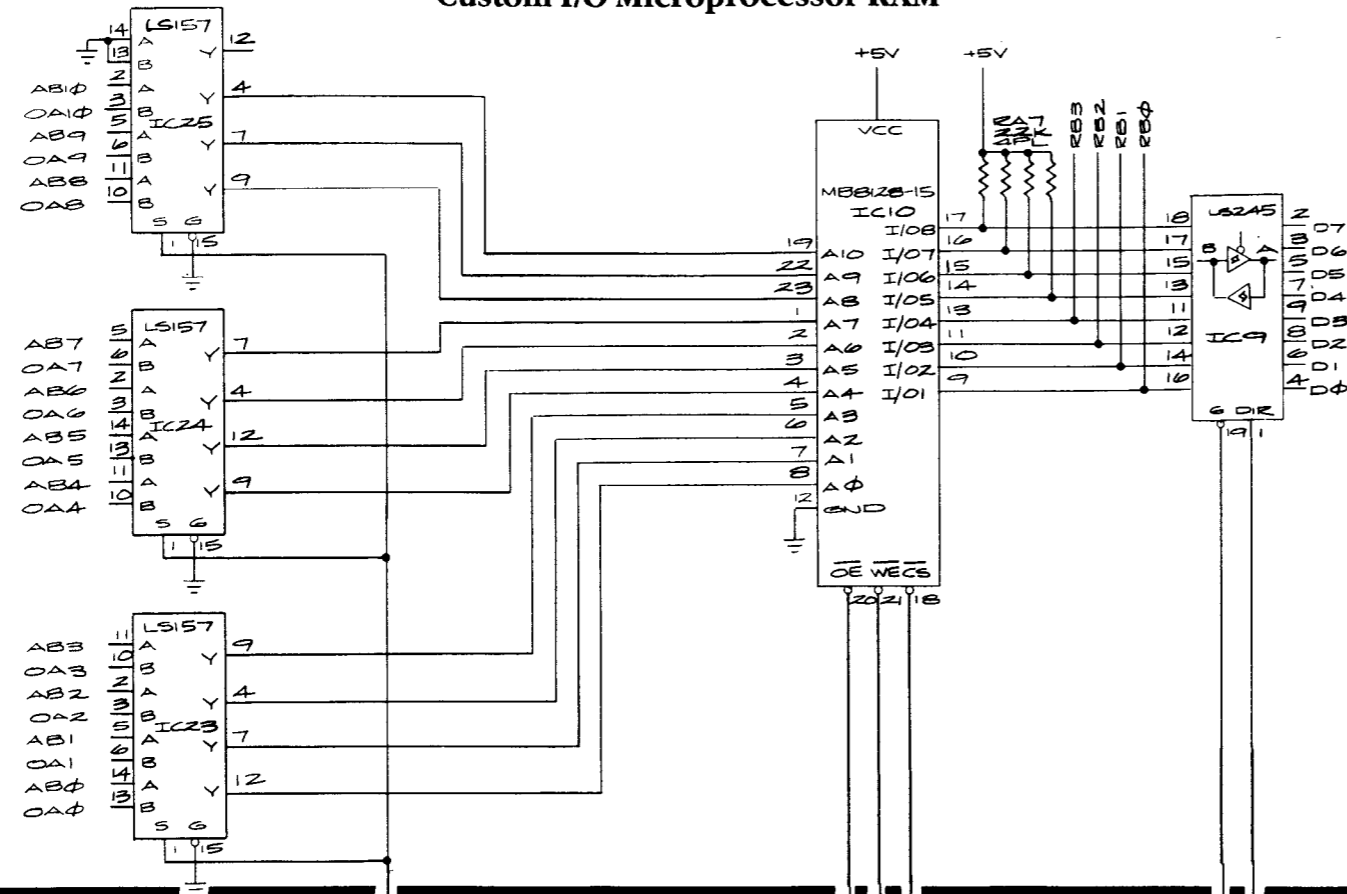
NOTICE TO ALL PERSONS RECEIVING THIS DRAWING
 CONFIDENTIAL. Reproduction forbidden without the specific written permission of Atari, Inc., Sunnyvale, CA. This drawing is only conditionally issued, and neither receipt nor possession thereof confers or transfers any right in, or license to use, the subject matter of the drawing or any design or technical information shown thereon, nor any right to reproduce this drawing or any part thereof. Except for manufacture by vendors of Atari, Inc., and for manufacture under the corporation's written license, no right is granted to reproduce this drawing or the subject matter thereof, unless by written agreement with or written permission from the corporation.

Arabian PCB Schematic Diagram

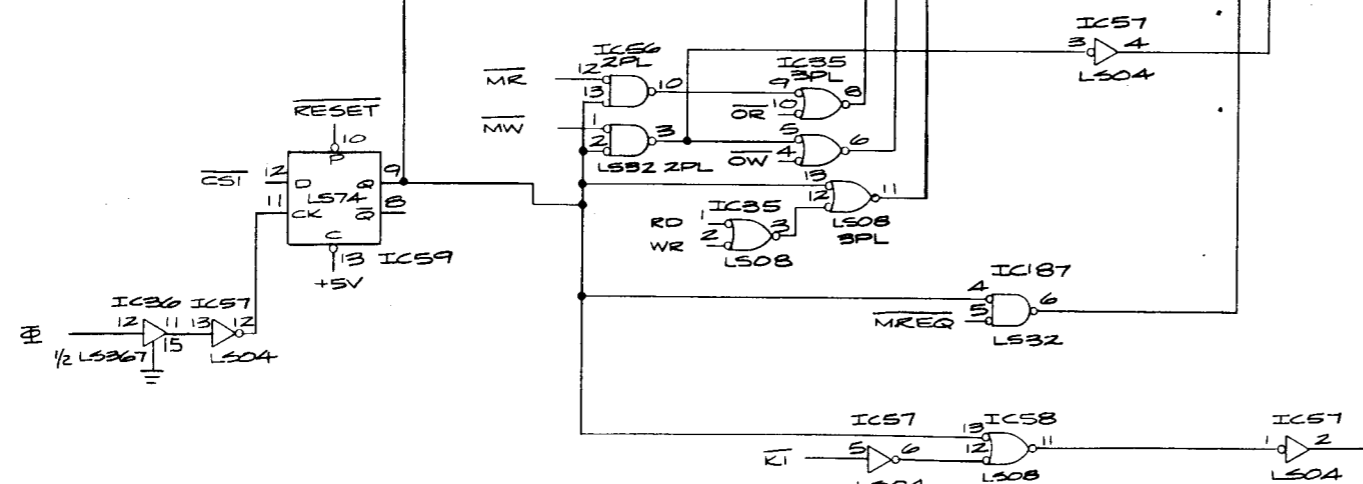


ATARI INC. 1983

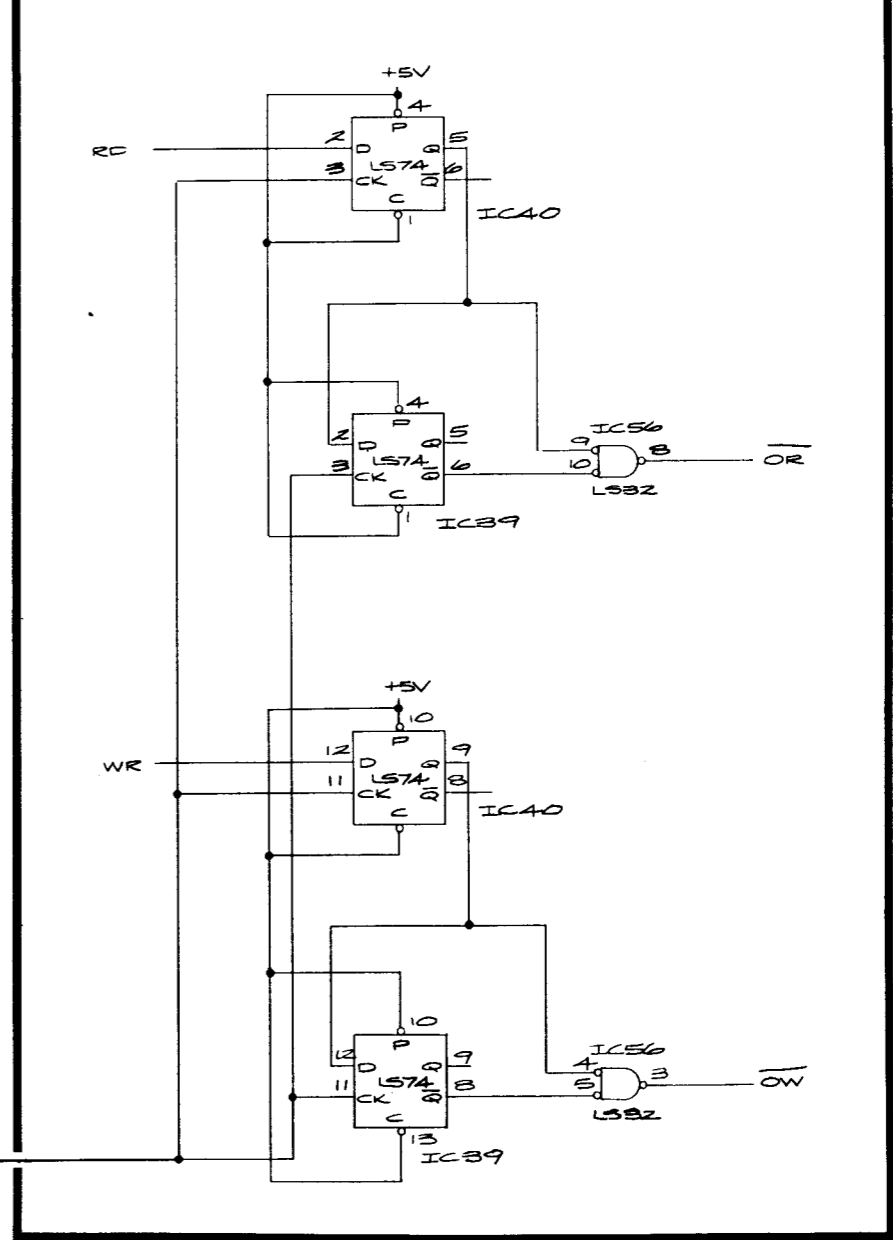
Custom I/O Microprocessor RAM



Custom I/O Microprocessor RAM Control




Custom I/O Microprocessor Read/Write



NOTICE TO ALL PERSONS RECEIVING THIS DRAWING
 CONFIDENTIAL: Reproduction forbidden without the specific written permission of Atari, Inc., Sunnyvale, CA. This drawing is only conditionally issued, and neither receipt nor possession thereof confers or transfers any right in, or license to use, the subject matter of the drawing or any design or technical information shown thereon, nor any right to reproduce this drawing or any part thereof. Except for manufacture by vendors of Atari, Inc., and for manufacture under the corporation's written license, no right is granted to reproduce this drawing or the subject matter thereof, unless by written agreement with or written permission from the corporation.

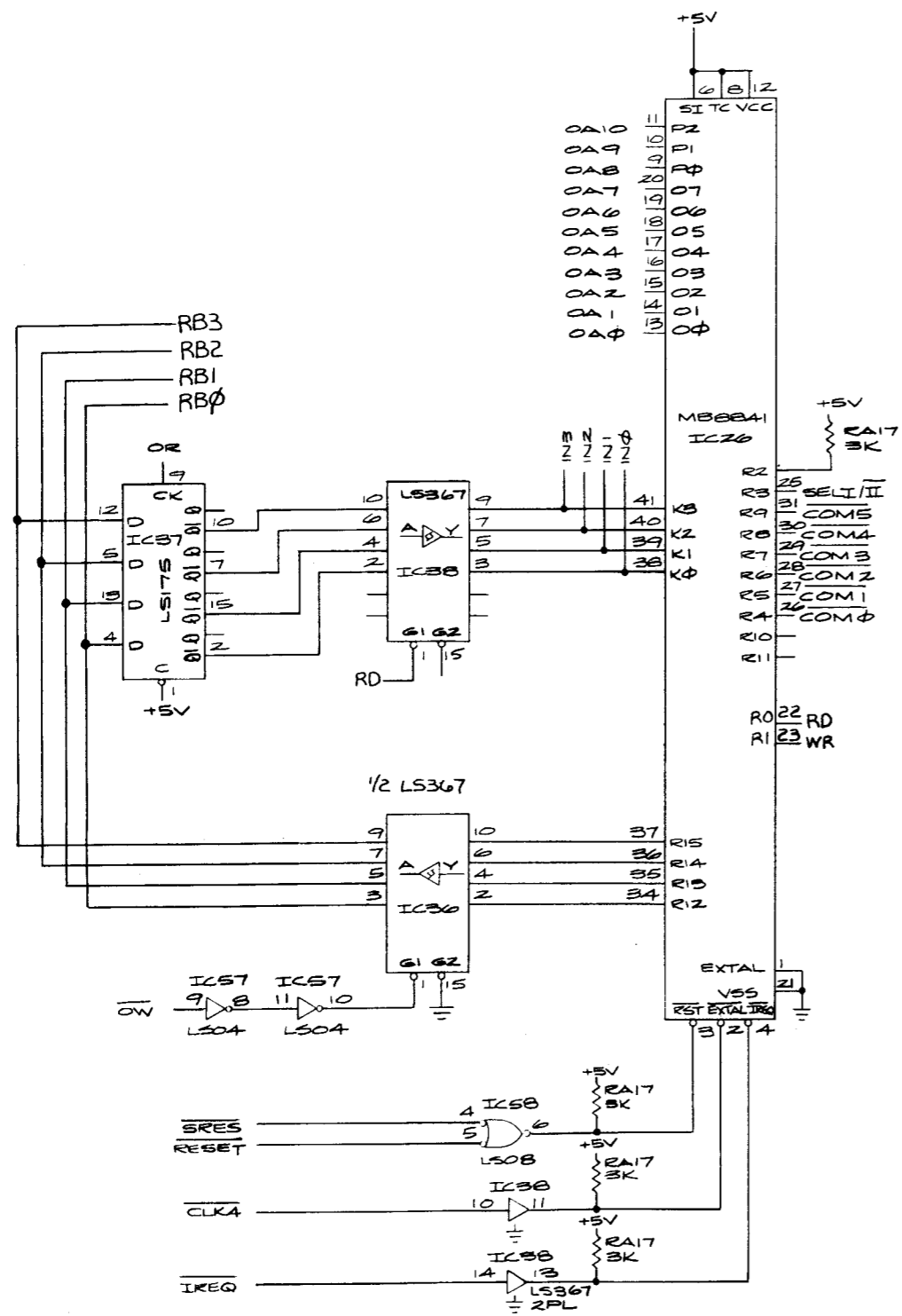
Arabian PCB Schematic Diagram


ATARI[®]

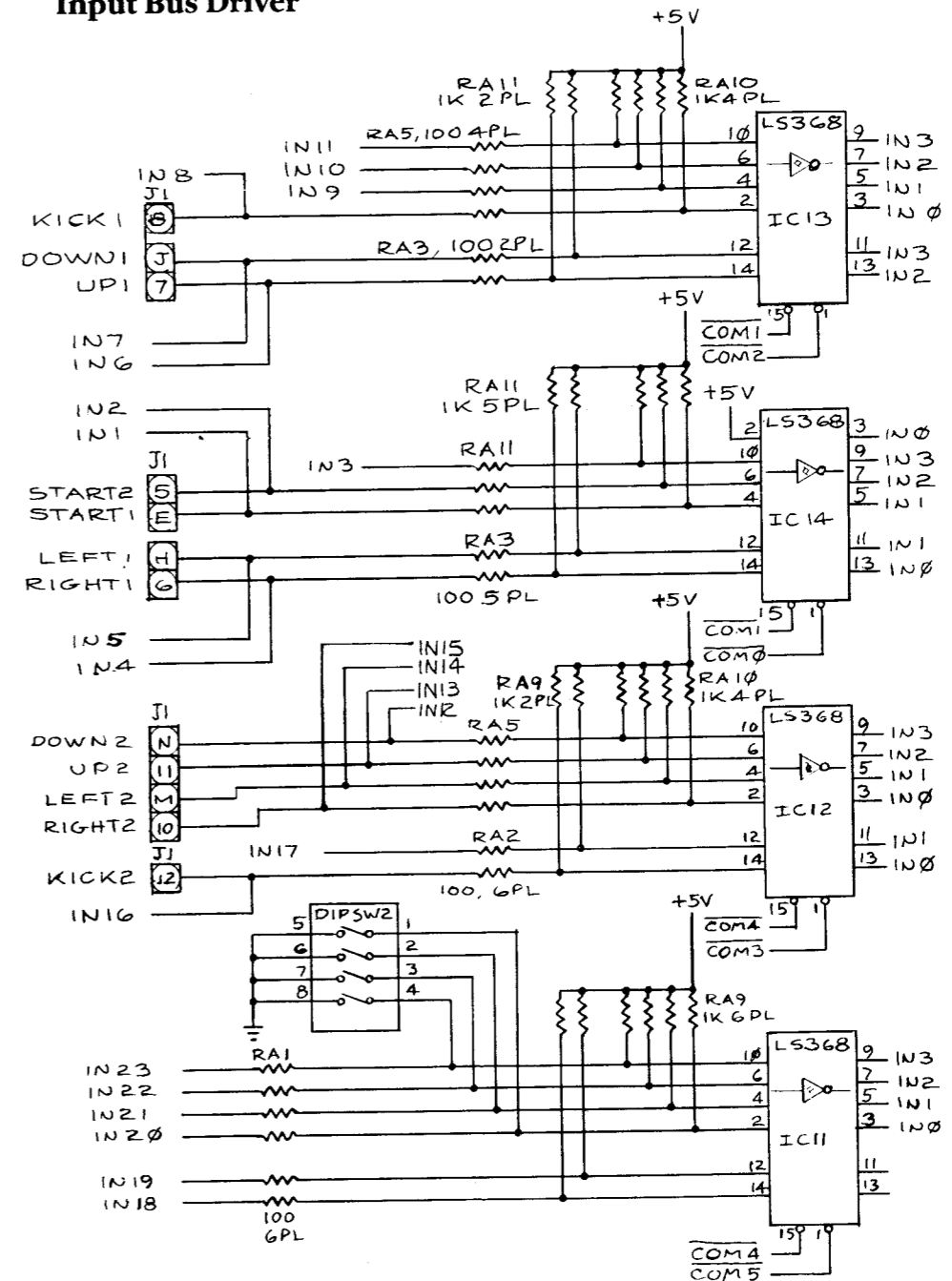
SP-237 Sheet 7A
 1st printing

© ATARI INC. 1983
 A Warner Communications Company

Custom I/O Microprocessor



Input Bus Driver



NOTICE TO ALL PERSONS RECEIVING THIS DRAWING

CONFIDENTIAL: Reproduction forbidden without the specific written permission of Atari, Inc., Sunnyvale, CA. This drawing is only conditionally issued, and neither receipt nor possession thereof confers or transfers any right in, or license to use, the subject matter of the drawing or any design or technical information shown thereon, nor any right to reproduce this drawing or any part thereof. Except for manufacture by vendors of Atari, Inc., and for manufacture under the corporation's written license, no right is granted to reproduce this drawing or the subject matter thereof, unless by written agreement with or written permission from the corporation.

Arabian PCB Schematic Diagram

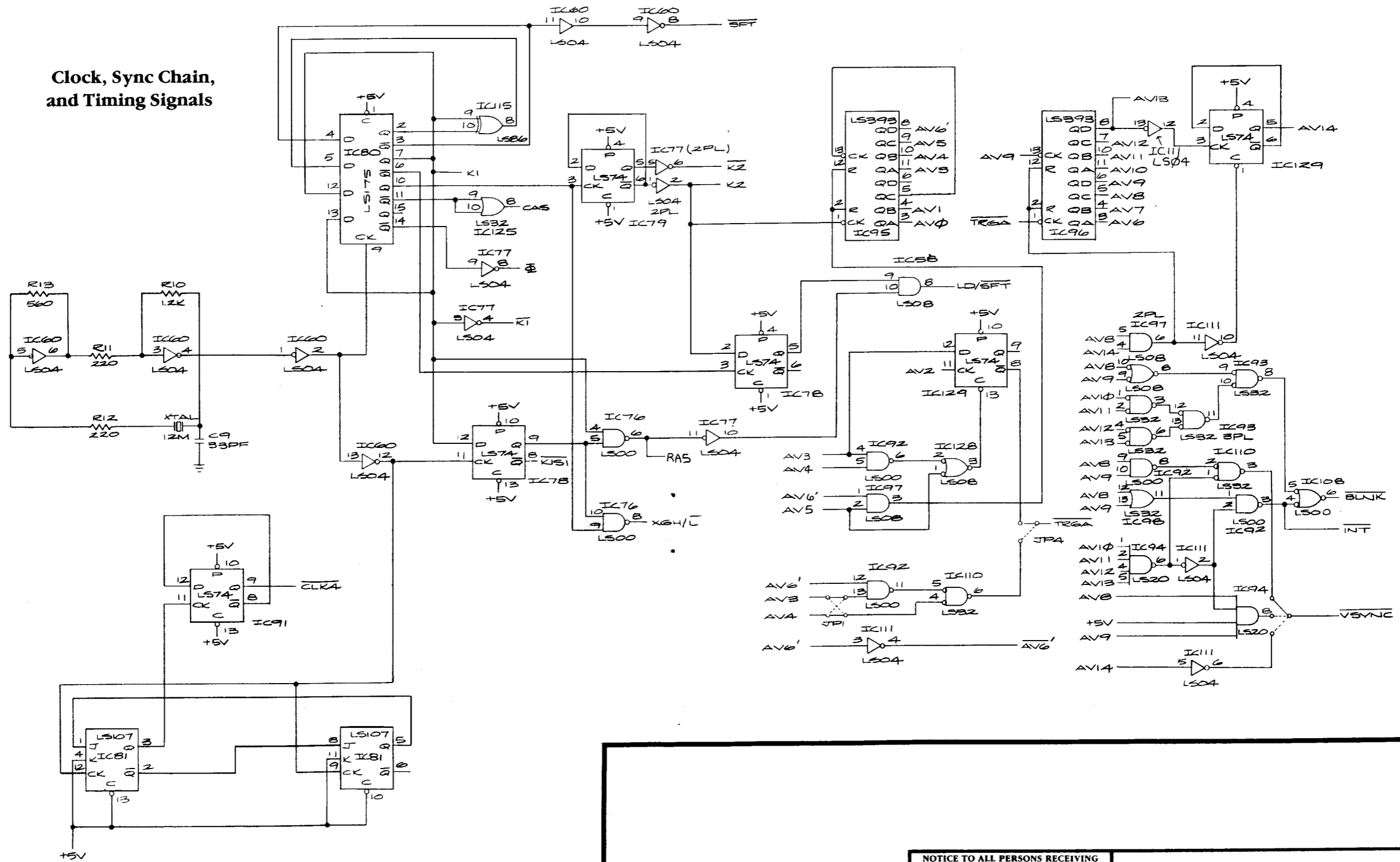


© ATARI INC. 1983

SP-237 Sheet 7B
1st printing

A Warner Communications Company

Clock, Sync Chain, and Timing Signals



NOTICE TO ALL PERSONS RECEIVING THIS DRAWING

CONFIDENTIAL: Reproduction forbidden without the specific written permission of Atari, Inc., Sunnyvale, CA. This drawing is only conditionally issued, and neither receipt nor possession thereof confers or transfers any right in, or license to use, the subject matter of the drawing or any design or technical information shown thereon, nor any right to reproduce this drawing or any part thereof. Except for manufacture by vendors of Atari, Inc., and for manufacture under the corporation's written license, no right is granted to reproduce this drawing or the subject matter thereof, unless by written agreement with or written permission from the corporation.

Arabic PCB Schematic Diagram

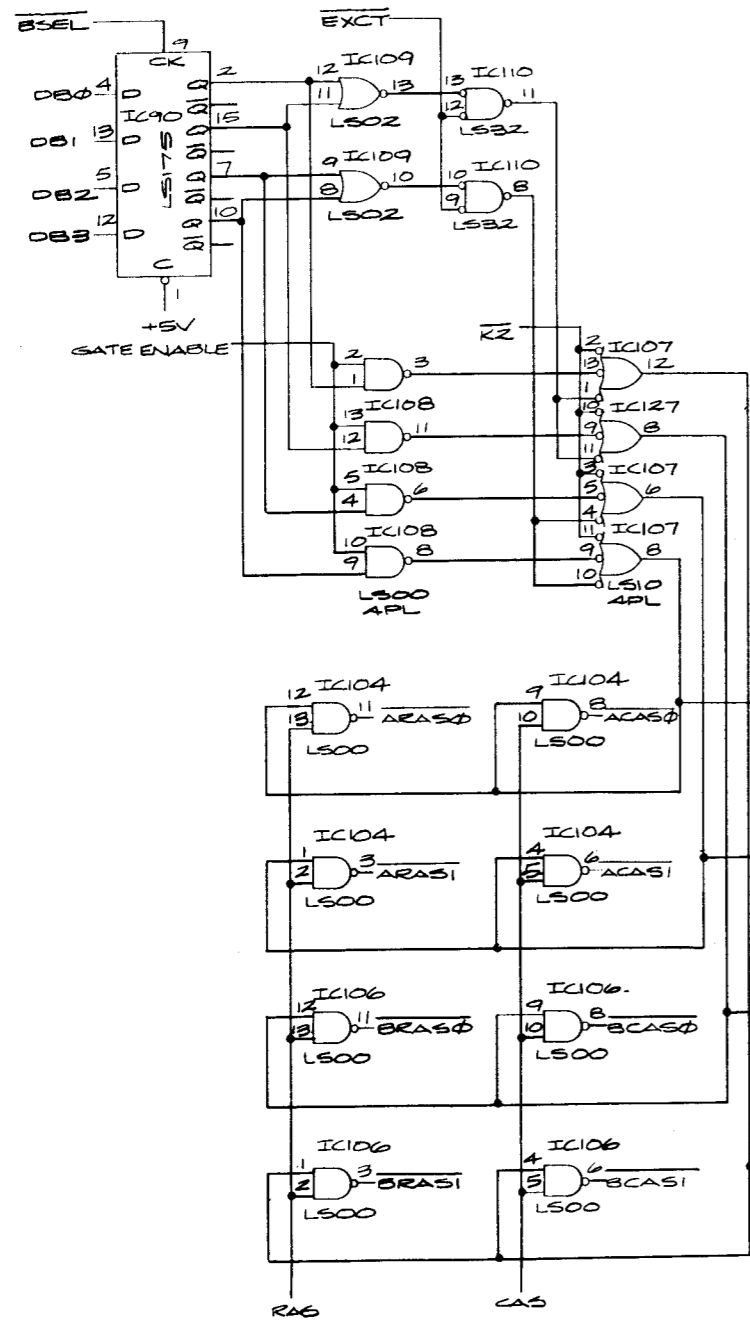


© ATARI INC. 1983

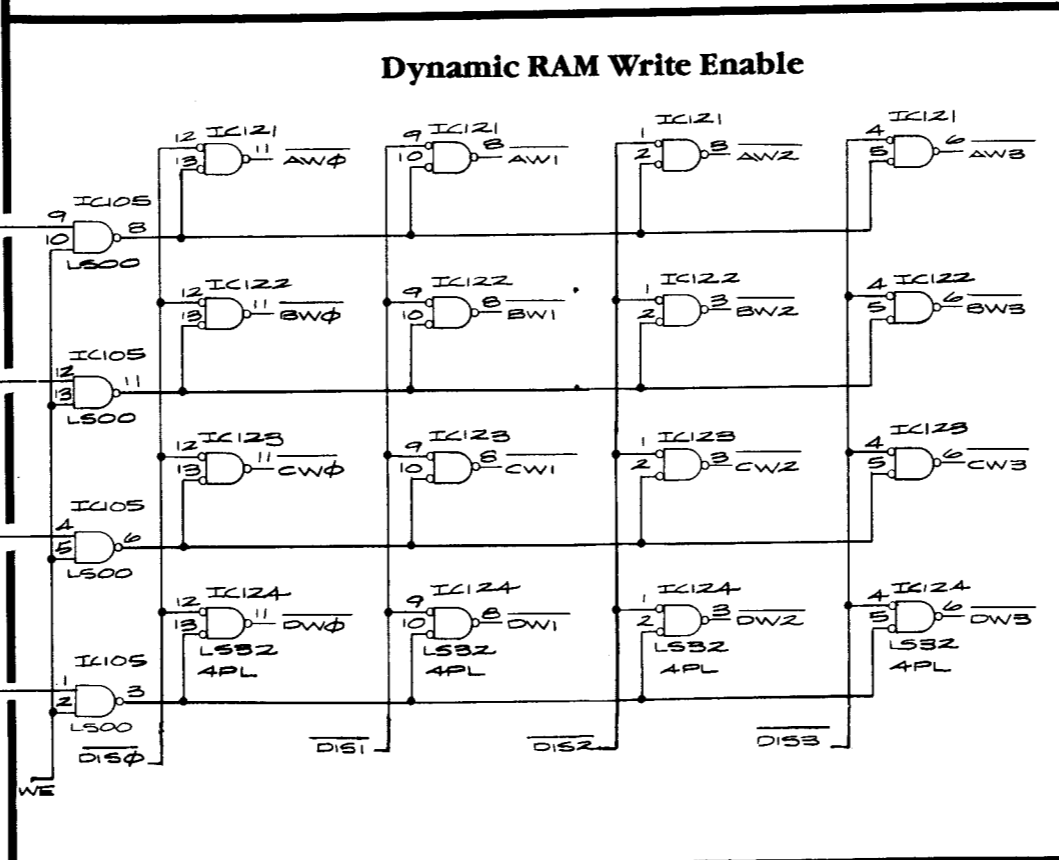
SP-237 Sheet 8B
1st printing

A Warner Communications Company

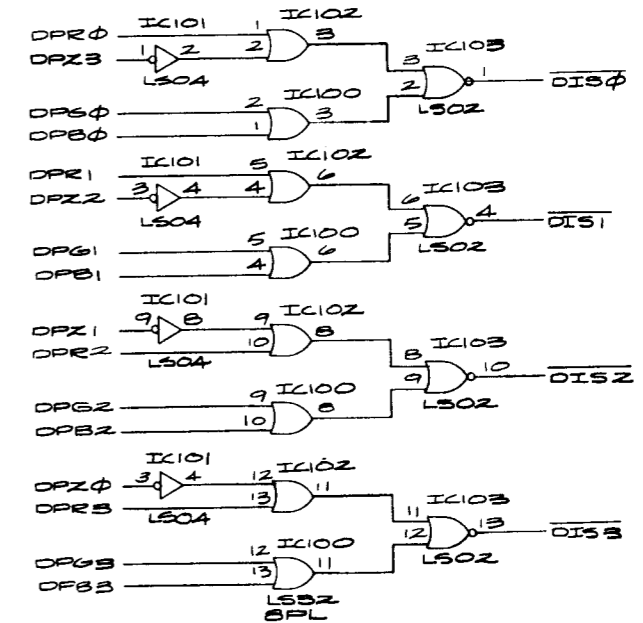
Row/Column Address Select



Dynamic RAM Write Enable



Enable Logic Control



NOTICE TO ALL PERSONS RECEIVING THIS DRAWING
 CONFIDENTIAL: Reproduction forbidden without the specific written permission of Atari, Inc., Sunnyvale, CA. This drawing is only conditionally issued, and neither receipt nor possession thereof confers or transfers any right in, or license to use, the subject matter of the drawing or any design or technical information shown thereon, nor any right to reproduce this drawing or any part thereof. Except for manufacture by vendors of Atari, Inc., and for manufacture under the corporation's written license, no right is granted to reproduce this drawing or the subject matter thereof, unless by written agreement with or written permission from the corporation.

Arabian PCB Schematic Diagram

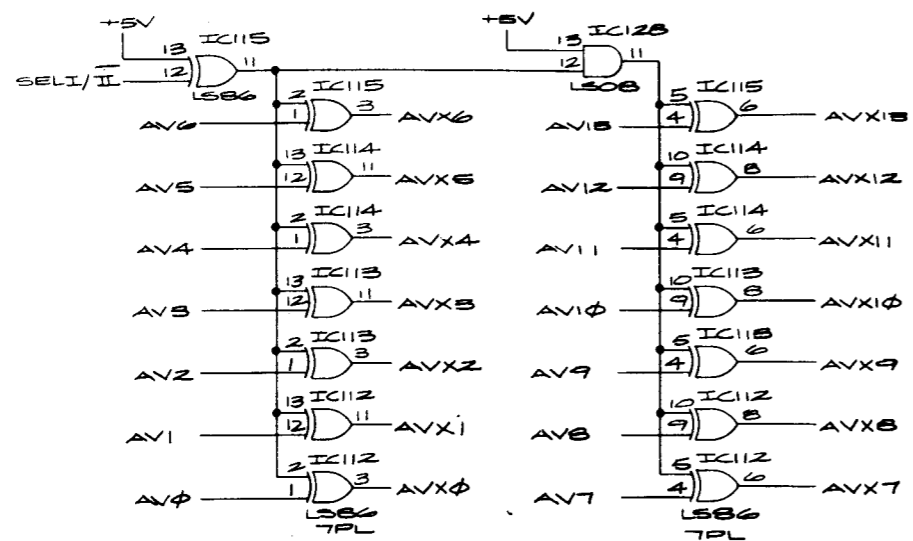


© ATARI INC. 1983

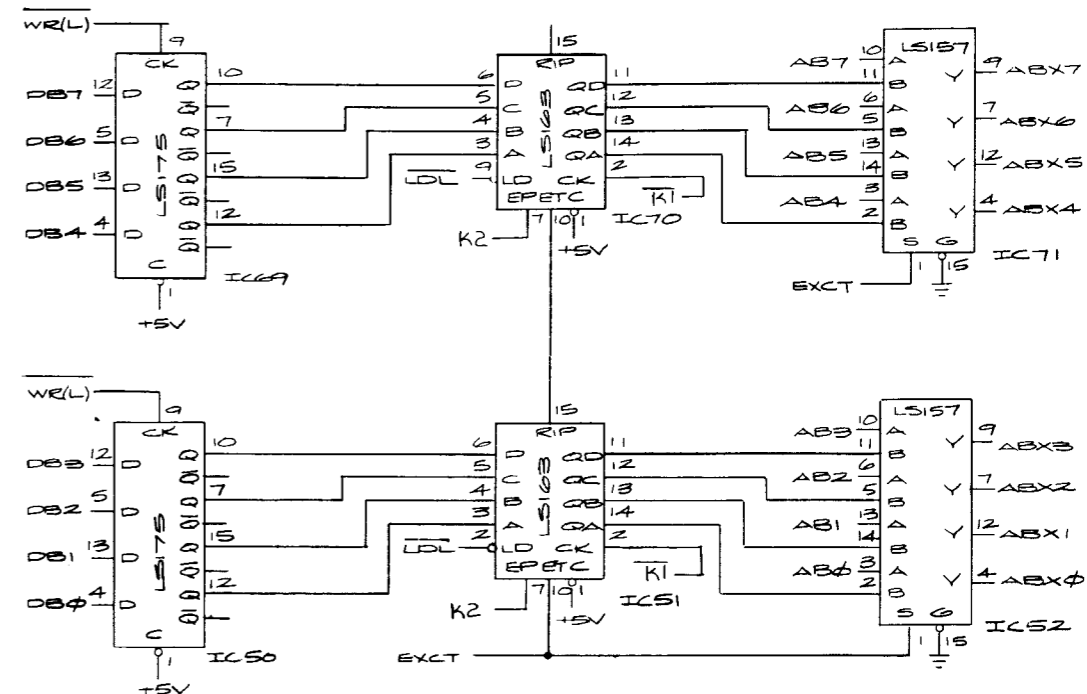
SP-237 Sheet 9A
 1st printing

A Warner Communications Company

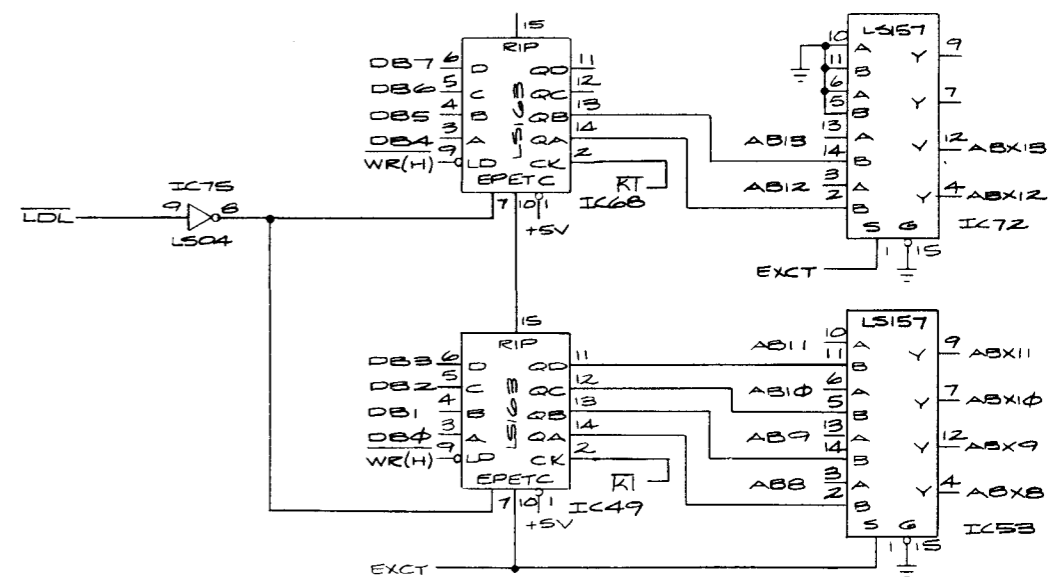
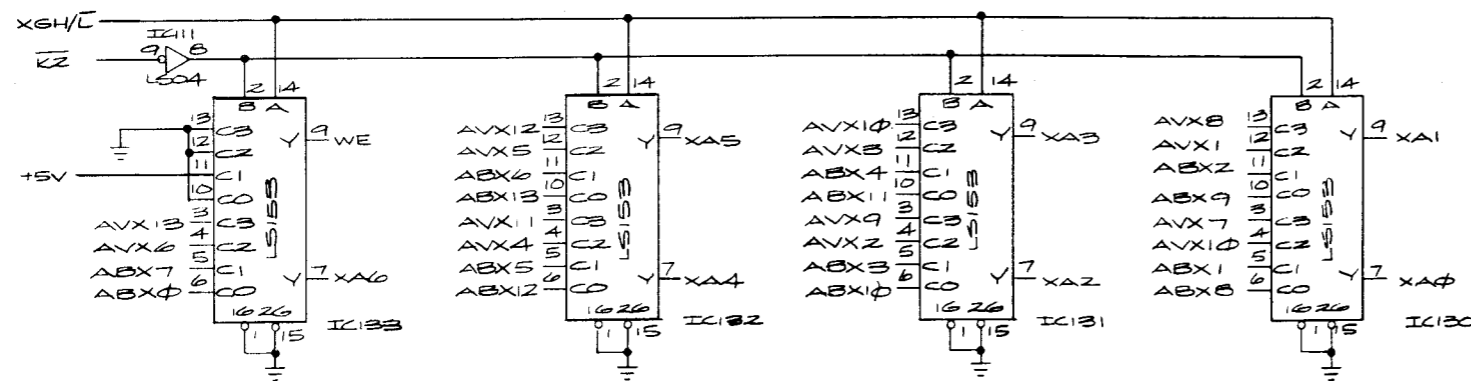
Dynamic RAM Flip Address Decoders



Dynamic RAM Address Decoders



Dynamic RAM Address Multiplexers



NOTICE TO ALL PERSONS RECEIVING THIS DRAWING

CONFIDENTIAL: Reproduction forbidden without the specific written permission of Atari, Inc., Sunnyvale, CA. This drawing is only conditionally issued, and neither receipt nor possession thereof confers or transfers any right in, or license to use, the subject matter of the drawing or any design or technical information shown thereon, nor any right to reproduce this drawing or any part thereof. Except for manufacture by vendors of Atari, Inc., and for manufacture under the corporation's written license, no right is granted to reproduce this drawing or the subject matter thereof unless by written agreement with or written permission from the corporation.

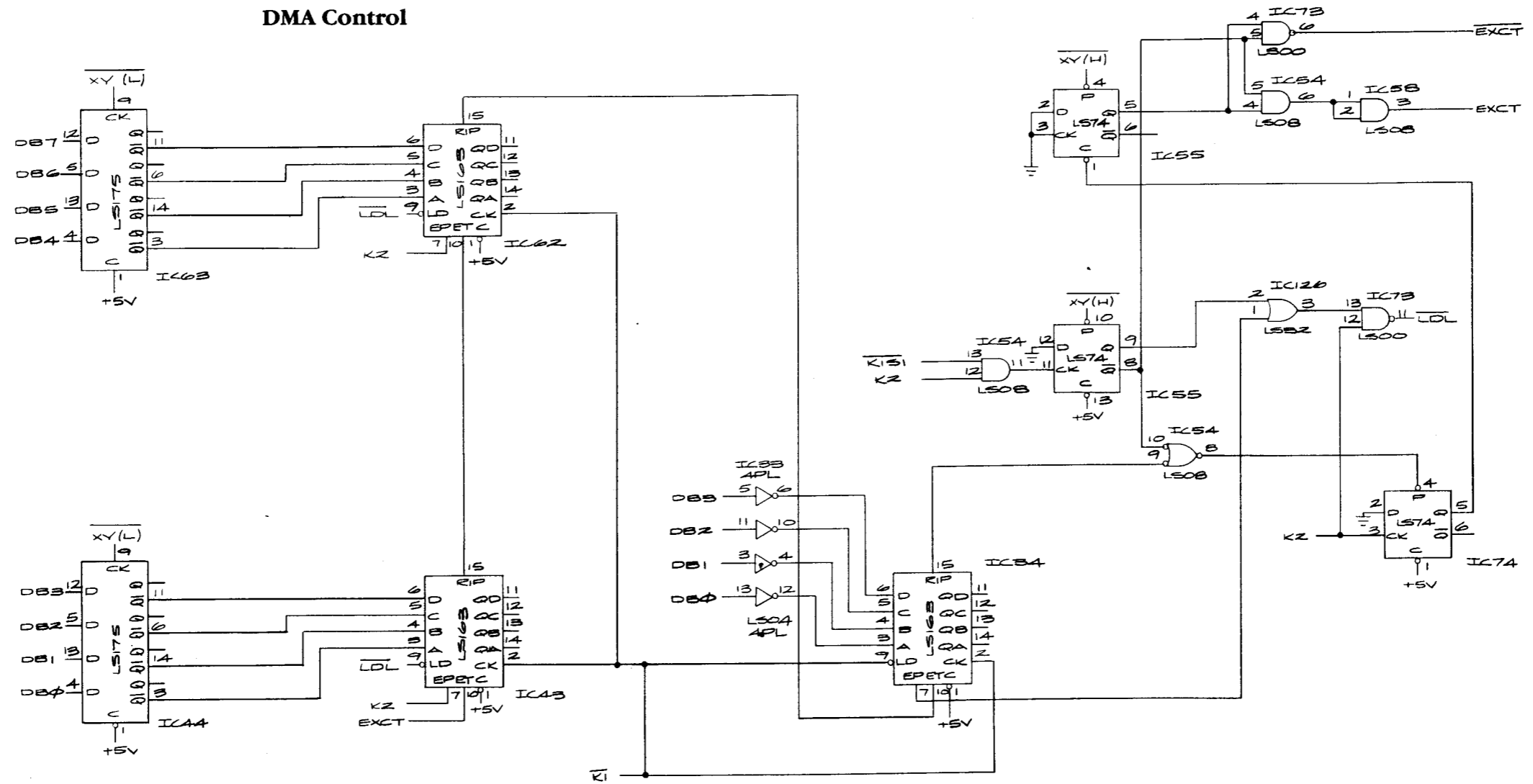
Arabian PCB Schematic Diagram



© ATARI INC. 1983

SP-237 Sheet 9B
1st printing

DMA Control



NOTICE TO ALL PERSONS RECEIVING THIS DRAWING
 CONFIDENTIAL: Reproduction forbidden without the specific written permission of Atari, Inc., Sunnyvale, CA. This drawing is only conditionally issued, and neither receipt nor possession thereof confers or transfers any right in, or license to use, the subject matter of the drawing or any design or technical information shown thereon, nor any right to reproduce this drawing or any part thereof. Except for manufacture by vendors of Atari, Inc., and for manufacture under the corporation's written license, no right is granted to reproduce this drawing or the subject matter thereof, unless by written agreement with or written permission from the corporation.

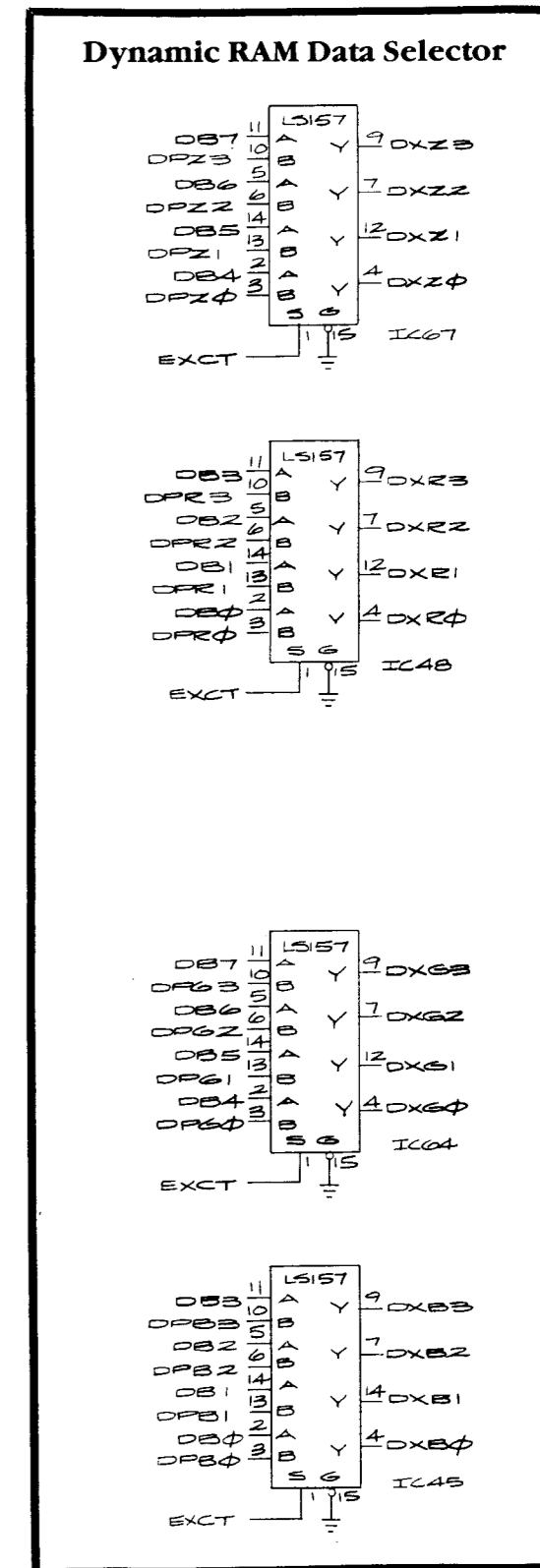
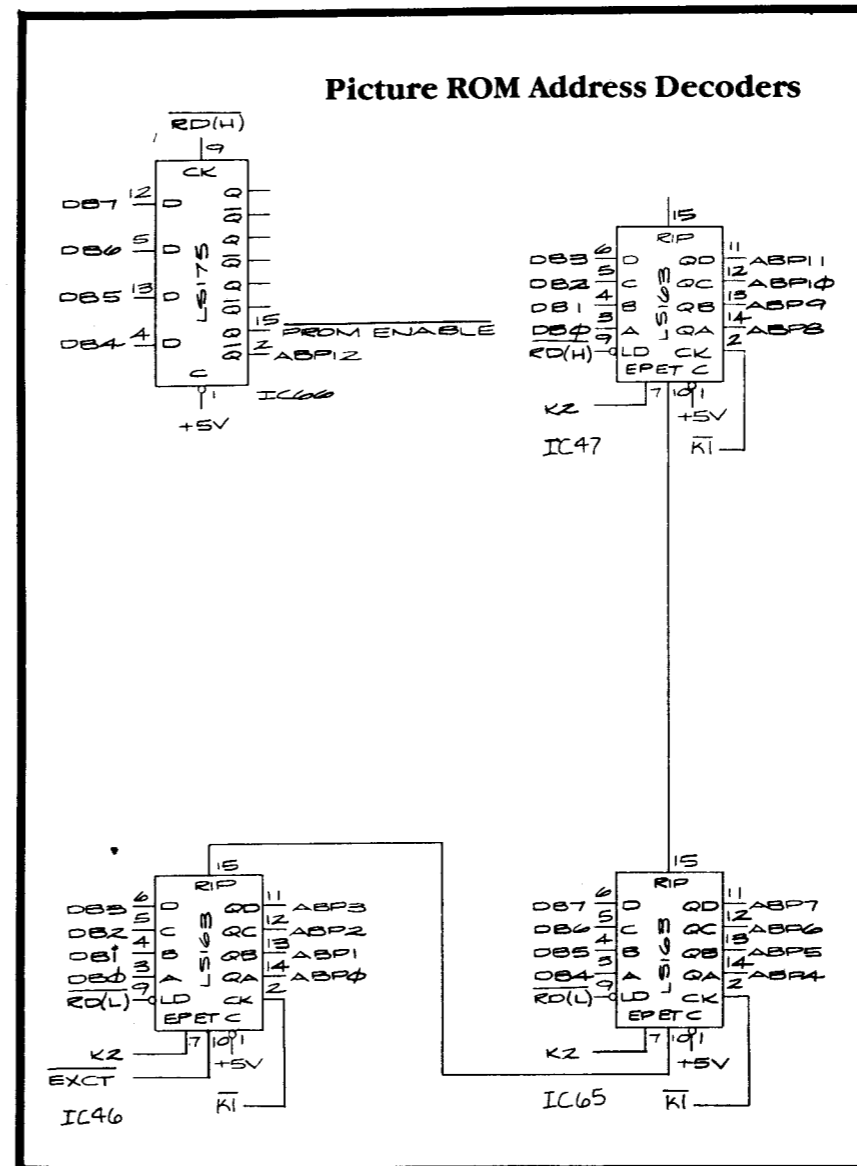
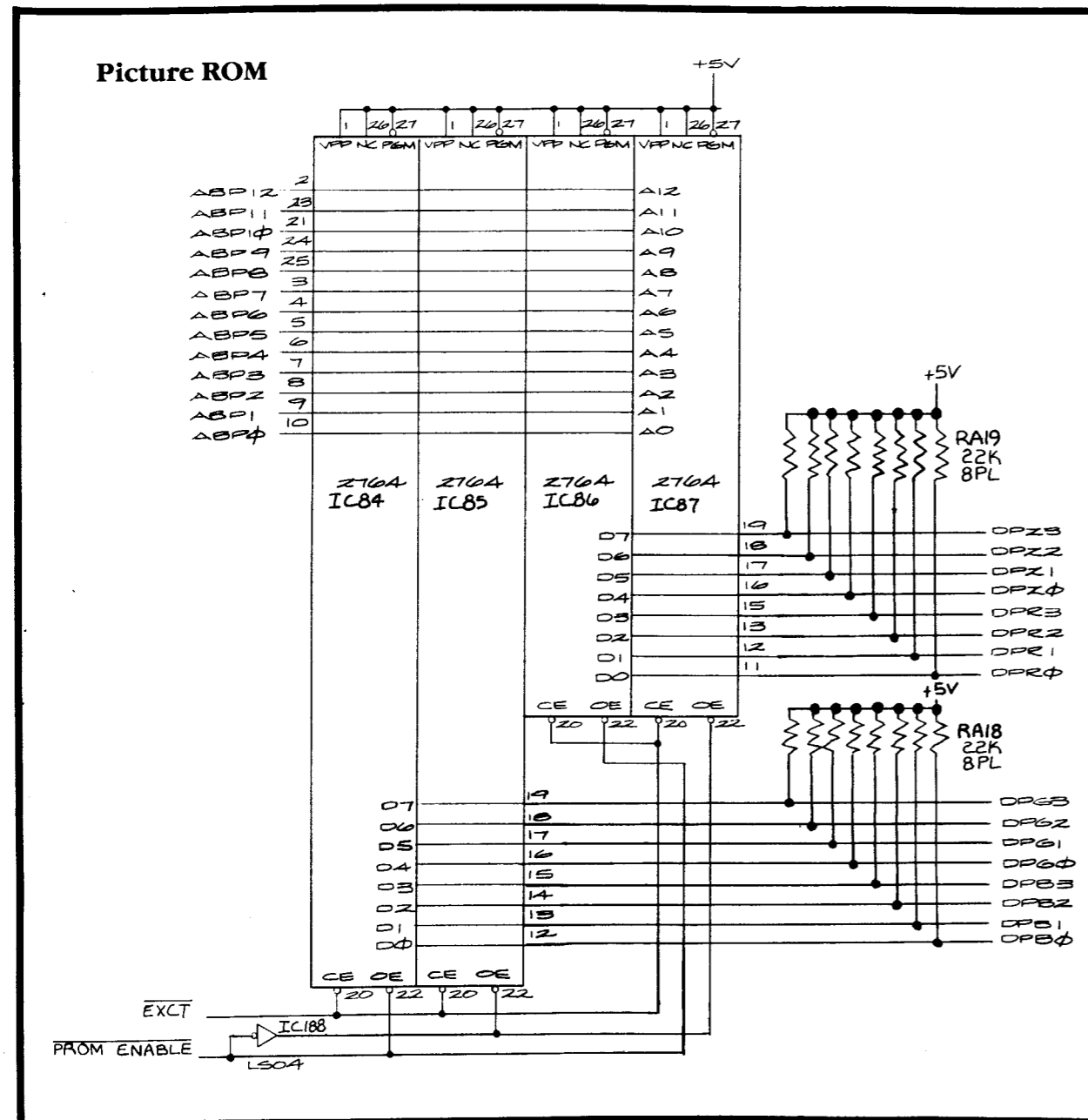
Arabian PCB Schematic Diagram



© ATARI INC. 1983

SP-237 Sheet 10A
 1st printing

A Warner Communications Company



NOTICE TO ALL PERSONS RECEIVING THIS DRAWING
 CONFIDENTIAL: Reproduction forbidden without the specific written permission of Atari, Inc., Sunnyvale, CA. This drawing is only conditionally issued, and neither receipt nor possession thereof confers or transfers any right in, or license to use, the subject matter of the drawing or any design or technical information shown thereon, nor any right to reproduce this drawing or any part thereof. Except for manufacture by vendors of Atari, Inc., and for manufacture under the corporation's written license, no right is granted to reproduce this drawing or the subject matter thereof, unless by written agreement with or written permission from the corporation.

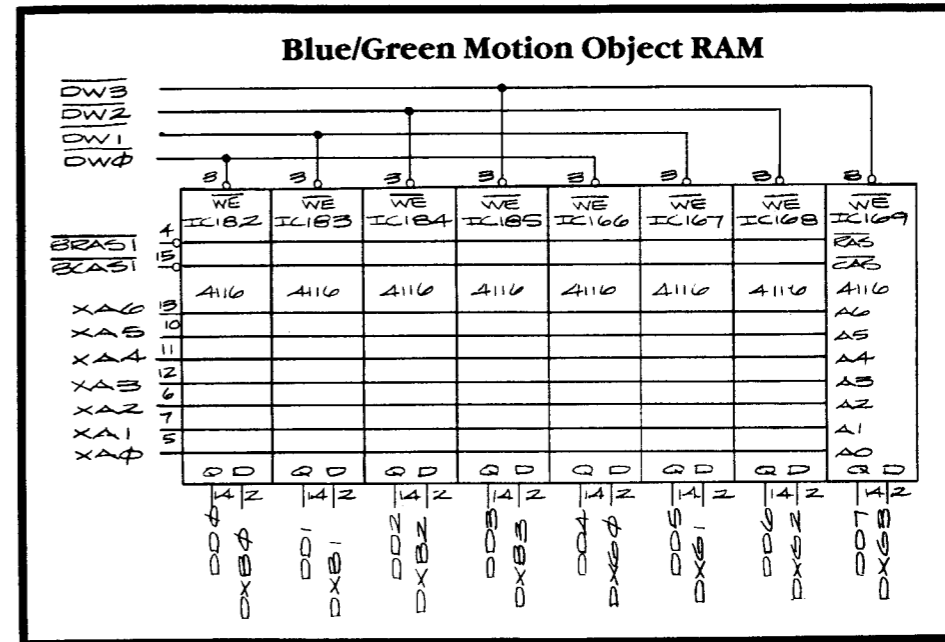
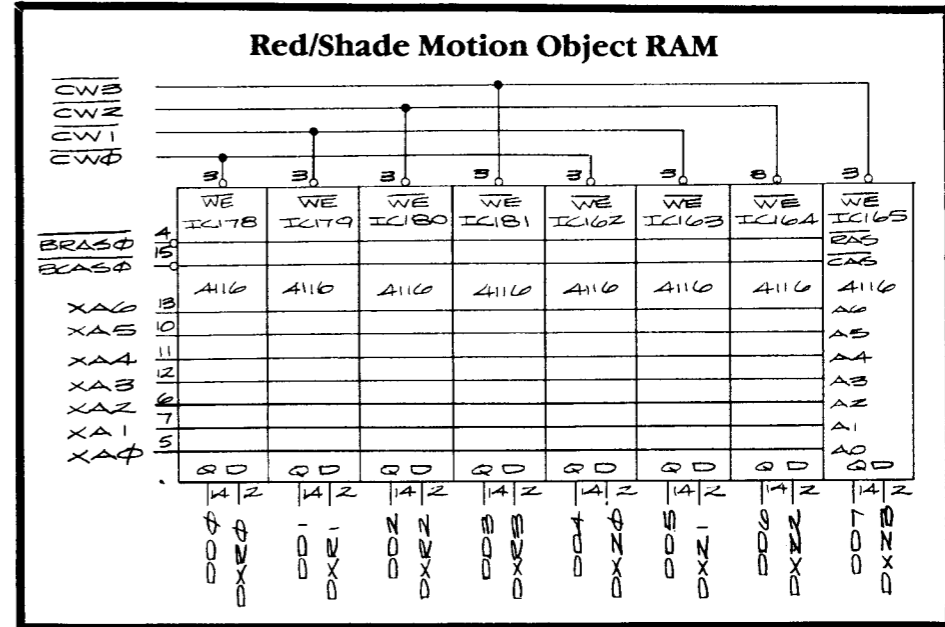
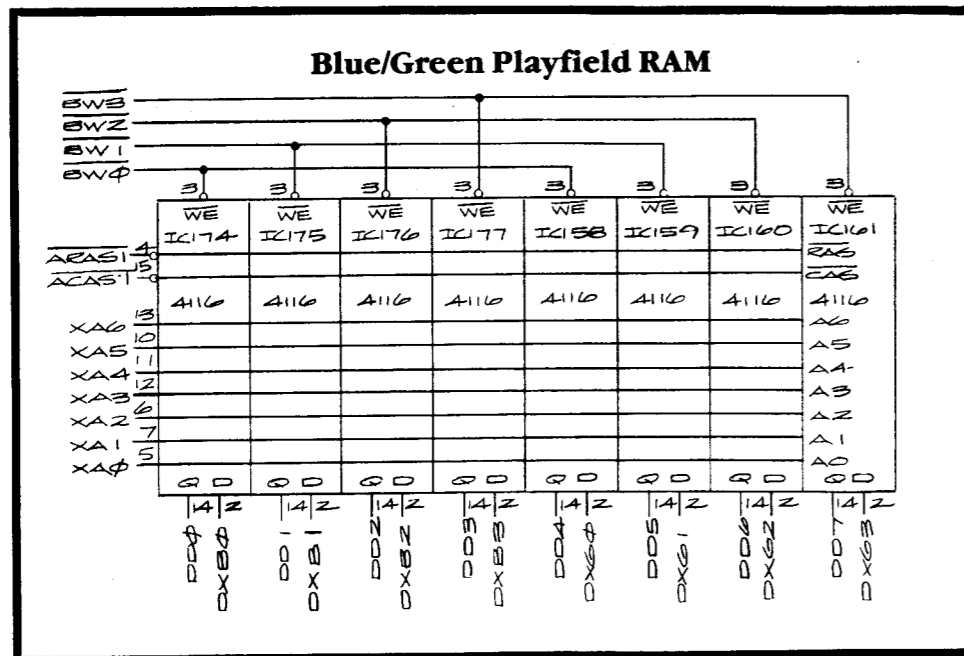
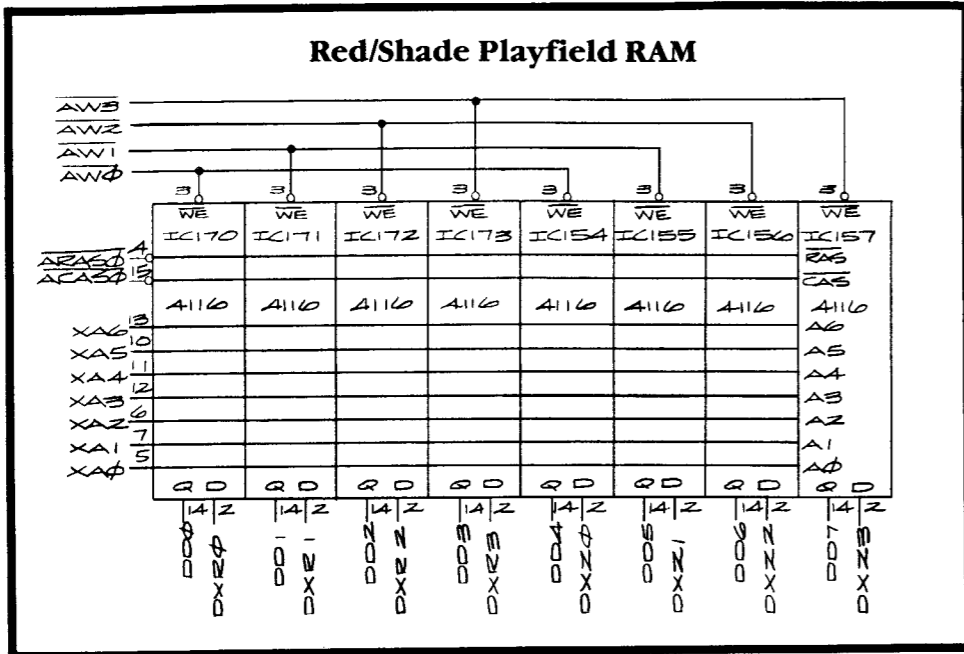
Arabian PCB Schematic Diagram



© ATARI INC. 1985

SP-237 Sheet 10B
1st printing

A Warner Communications Company



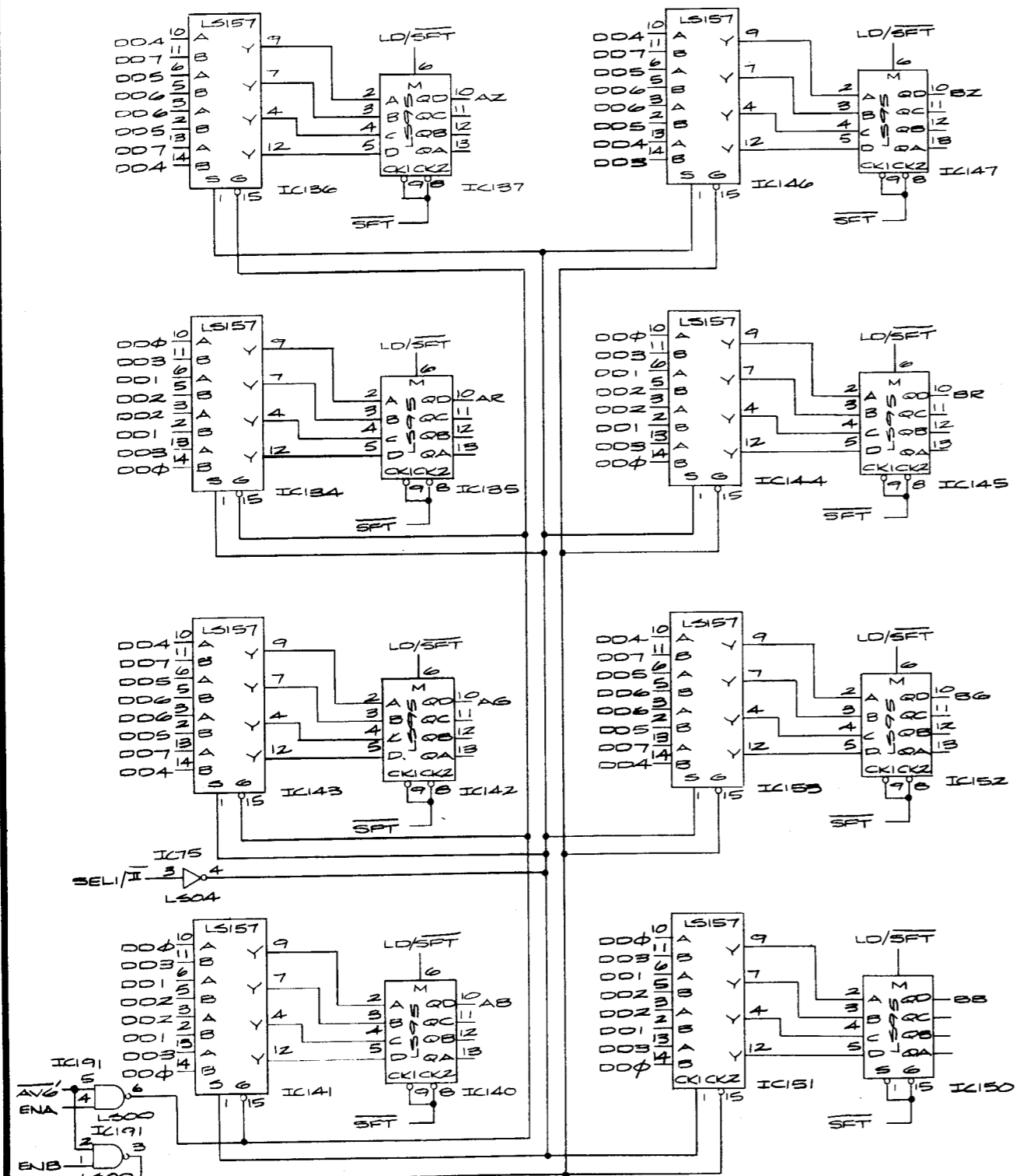
NOTICE TO ALL PERSONS RECEIVING THIS DRAWING
 CONFIDENTIAL. Reproduction forbidden without the specific written permission of Atari, Inc., Sunnyvale, CA. This drawing is only conditionally issued, and neither receipt nor possession thereof confers or transfers any right in, or license to use, the subject matter of the drawing or any design or technical information shown thereon, nor any right to reproduce this drawing or any part thereof. Except for manufacture by vendors of Atari, Inc., and for manufacture under the corporation's written license, no right is granted to reproduce this drawing or the subject matter thereof, unless by written agreement with or written permission from the corporation.

Arabian PCB Schematic Diagram

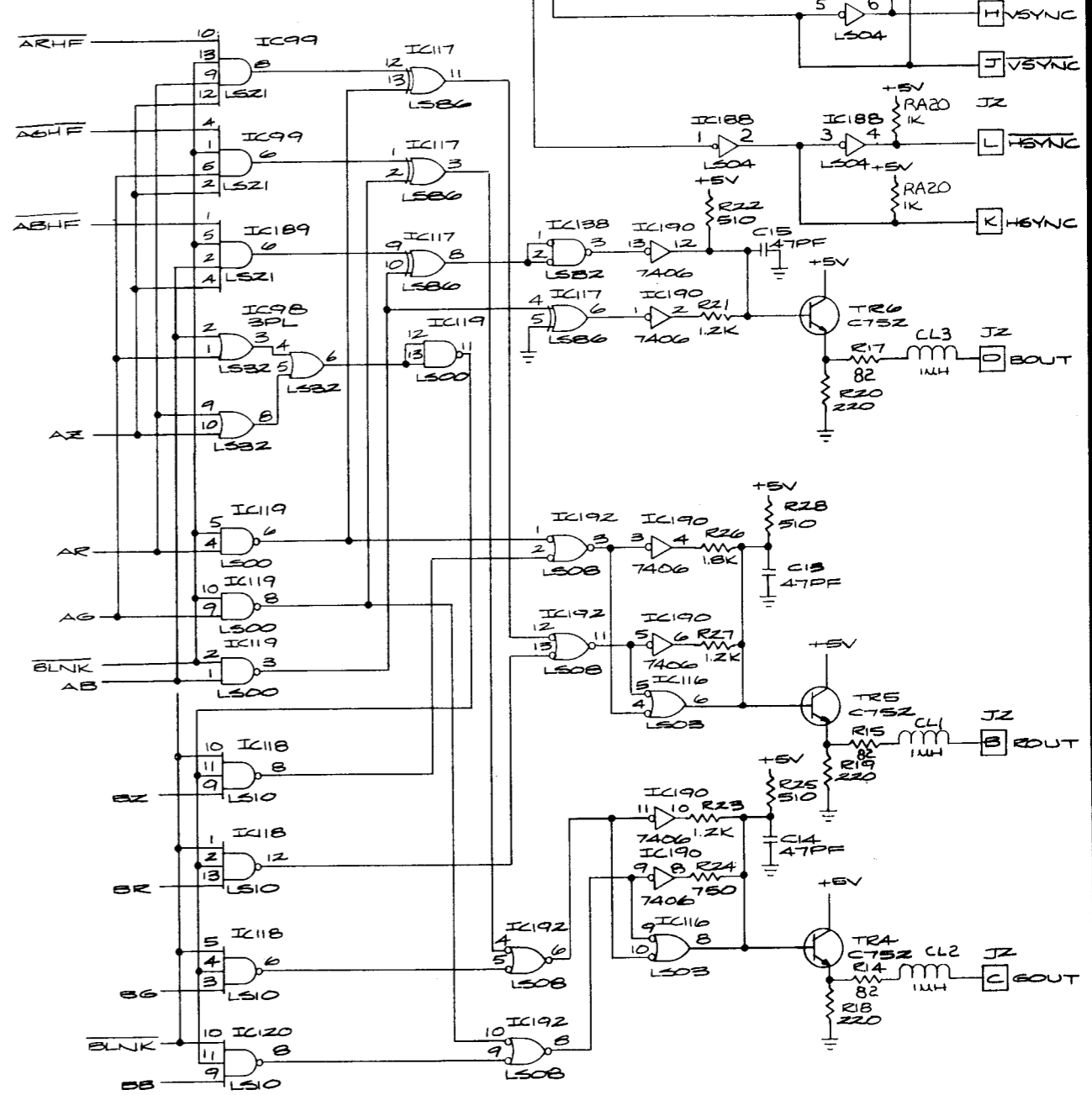
© ATARI INC. 1983

SP-237 Sheet 11A
1st printing

Video Output Decoders



Video Output



NOTICE TO ALL PERSONS RECEIVING THIS DRAWING
 CONFIDENTIAL: Reproduction forbidden without the specific written permission of Atari, Inc., Sunnyvale, CA. This drawing is only conditionally issued, and neither receipt nor possession thereof confers or transfers any right in, or license to use, the subject matter of the drawing or any design or technical information shown thereon, nor any right to reproduce this drawing or any part thereof. Except for manufacture by vendors of Atari, Inc., and for manufacture under the corporation's written license, no right is granted to reproduce this drawing or the subject matter thereof, unless by written agreement with or written permission from the corporation.

Arabian PCB Schematic Diagram



© ATARI INC. 1983

SP-237 Sheet 11B
 1st printing

